



Q8 Max Robot Vacuum User's manual



Live Smart,
Live Easy.

Proscenic Technology Co., Ltd
Web:www.proscenic.com
E-mail:support@proscenic.com

TABLE OF CONTENTS

EN

Safety Warning	02
Before use	05
Product presentation	06
App Connection	07
Product use	08
Regular maintenance	10
Mainbody Indicator / Wi-Fi indicator	13
Troubleshooting	14
Parameter	15

DE

Sicherheitshinweise	16
vor Gebrauch	19
Produktbeschreibung	20
App-Verbindung	21
Produktoperationen	22
Routinewartung	24
Host-Anzeigeleuchte/Wi-Fi-Anzeigeleuchte ...	27
Fehlerbehebung	28
Parameter	29

FR

Avertissement de sécurité	30
Avant utilisation	33
Description du produit	34
Connexion à l'APP	35
Fonctionnement du produit	36
Maintenance de routine	38
Voyant lumineux de l'hôte / Indicateur Wi-Fi ..	41
Dépannage	42
Paramètre	43

IT

Avvertenze di sicurezza	44
pre-utilizzo	47
Descrizione del prodotto	48
Connessione alle app	49
Operazione prodotto.....	50
Manutenzione regolare	52
Indicatore luminoso dell'host / Indicatore Wi-Fi ..	55
Risoluzione dei problemi	56
Parametro	57

ES

Advertencia de seguridad	58
Antes de usar	61
Descripción del Producto	62
Conexión de la APP	63
Operación del producto	64
mantenimiento rutinario	66
Indicador luminoso dell'host / Indicador Wi-Fi ..	69
Resolución de problemas	70
Parámetro	71

PL

Bezpieczeństwo	72
Pierwsze użycie	75
Prezentacja Produktu	76
łączenie z aplikacją	77
Pierwsze Kroki	78
Konserwacja	80
Wzkaźniki na Robocie	83
Rozwiązywanie problemów.....	84
Parametry	85

SAFETY WARNING

IMPORTANT SAFETY INSTRUCTIONS FOR HOME USE ONLY

Basic precautions should always be observed when using any electrical equipment, including the following:

WARNING: READ ALL SAFETY INSTRUCTIONS AND THE ENTIRE MANUAL.

Failure to heed the warnings and instructions may result in electric shock, fire, or serious injuries. Please read all instructions before using this robot.

WARNING:

- This robot is intended for children 8 years of age and older. People with reduced physical, sensory, or intellectual abilities, or those who lack experience and knowledge, should be supervised or instructed in safely using the robot; they must also be aware of possible hazards. Children should not play with this robot. Cleaning and user maintenance should not be performed by children without supervision.
- The robot must be used in accordance with the instructions in this manual. The company is not responsible for any damage or injury caused by improper use.

To reduce the risk of injury or damage, please observe the following safety precautions when installing, using and maintaining the robot:

- Please read all instructions regarding safety and operation before using the robot.
- Keep the safety and user manual for future reference. If you accidentally lose the manual, you may visit the official website to download the electronic version. (<https://www.proscenic.com>).
- Heed all warnings on the robot, battery, dust collector, and user manual.



Follow all operating and usage instructions.

The product's labels or packaging indicate that: Do not dispose of the electrical appliances as unsorted waste or, use a separate waste collector.

Contact your local authority for information on the appropriate disposal method. If electrical appliances are discarded in landfills, hazardous substances can leach into groundwater, enter the food chain, and damage people's health. Contact your local or regional waste management agency for more information on their recycling and reuse programs.

RESTRICTIONS

- This robot is for indoor use only. Do not use it outside, or in commercial and industrial environments.
- Before using the robot, remove fragile items such as clothing, loose-leaf paper, rope or curtains, and power cords from the floor. The robot may snag onto an object, table, or shelf if it gets stuck on a cable.
- This robot is not a toy. Do not sit or stand on this robot. Children and pets should be supervised while the robot is operating.
- Store and operate the robot at room temperature.
- Do not use this robot to clean anything that is burning or smoking.
- Do not use the robot to clean bleach, paint, or other chemicals, or anything wet.
- If the cleaning area involves a balcony, a physical barrier should be set up to prevent the robot from accessing the balcony and ensure it operates safely.
- People (including children) with reduced physical, sensory, or intellectual abilities, or those who lack experience and knowledge, should be supervised or instructed in safely using the robot.
- Children should be supervised to ensure they do not play with the robot. Further, cleaning and maintenance must not be performed without adult supervision.

- Do not place anything on the robot.
- Please note the robot will move on its own. Try to be careful when walking in the operating area to avoid stepping on it.
- Do not operate the robot in an area where a ground power outlet is exposed.

BATTERY AND CHARGING

- Only use rechargeable battery packs with specifications approved by our company.
- Use the standard complimentary dust collector for charging. This product must not be used with any type of power adapter; the use of other power adapters will immediately void the warranty.
- Do not use a dust collector with a damaged power cord or plug. If the power cord or plug is damaged, it must be repaired by the manufacturer or a similarly qualified party.
- Be sure to charge and remove the batteries in the robot and accessories before long-term storage or transportation.
- The remote control battery type is AAA alkaline battery. (Some models do not include remote control)
- To replace the remote control's batteries, slide the battery cover on the back of the remote control open, remove the battery cover, and replace the batteries.
- Charge the robot indoors only.
- Your robot's dust collector may be protected by a surge protector to prevent power surges.
- Do not operate the dust collector with wet hands.
- Before cleaning or maintaining the robot, the plug must be removed from the socket.
- Ensure the voltage rating of the enclosed dust collector matches the voltage

of the standard outlet.

- Used battery packs should be placed in a sealed plastic bag and disposed of safely in accordance with local environmental regulations.
- Before each use, inspect the battery pack for signs of damage or leakage. Do not charge damaged or leaking battery packs.
- If the battery pack leaks, please contact Customer Service.
- The battery pack must be removed from the robot before disposal.
- Do not crush or disassemble the battery pack. Do not apply heat to the battery pack or place it near any heat source.
- Do not incinerate the battery pack. Do not short-circuit the battery pack.
- Do not immerse the battery pack in any liquid.
- Do not crush or disassemble the robot.

ATTENTION

- The laser sensor in this product meets the IEC 60825-1: 2014 Standard for Class 1 laser products. Please avoid direct eye contact with it during use.
- The device supports Bluetooth functionality, which assists with Wi-Fi connectivity.



For indoor use



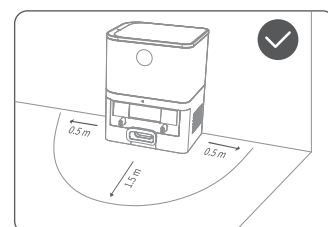
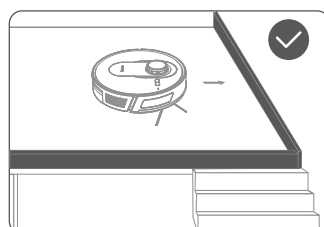
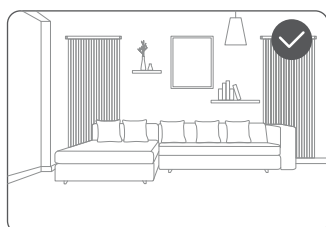
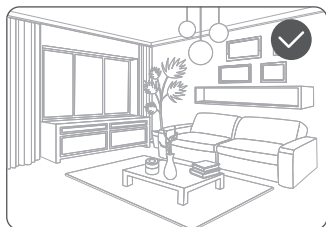
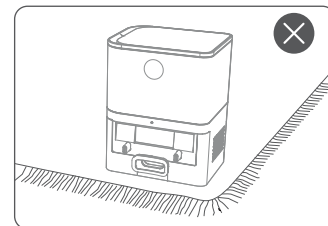
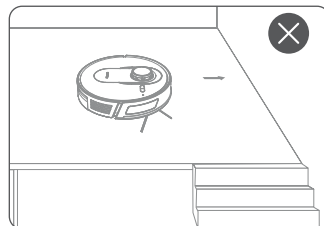
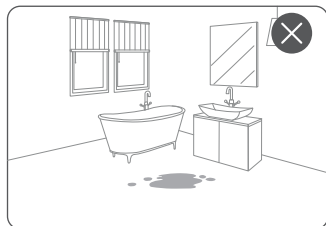
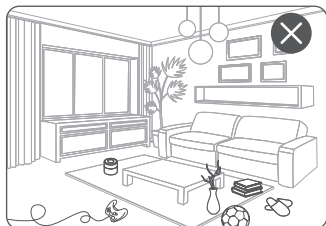
Before charging, read the instructions

SAFETY WARNING



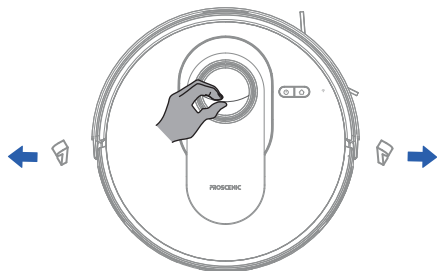
CAUTION:

1. Please clean up the scattered wire and debris on the ground before starting, and remove the easy to pour, fragile, valuable and dangerous items, so as to avoid winding, stuck, dragging or knocking down the personal or property damage caused by the robotic vacuum cleaner.
2. Please avoid using this product in the wading area, otherwise it will damage the fan and affect the machine performance.
3. It is strictly prohibited to use this product in high places without guardrail.
4. The dust collector should not be placed on carpet, the dust collector needs to be placed on the floor or tile with space around it.

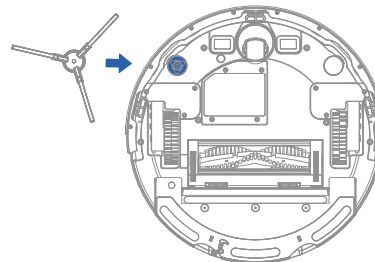


BEFORE USE

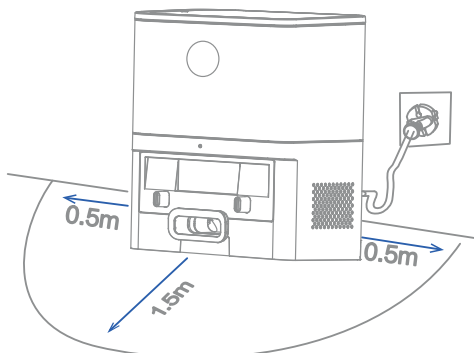
1. Remove the protective strip and protective film.



2. Install side brush.



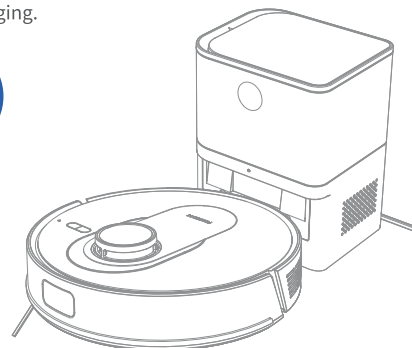
3. Placing the Dust collector.



* Dust collector should be placed against the wall, placed on the flat ground, and do not place any items within 0.5m around and 1.5m ahead.

4. First charging.

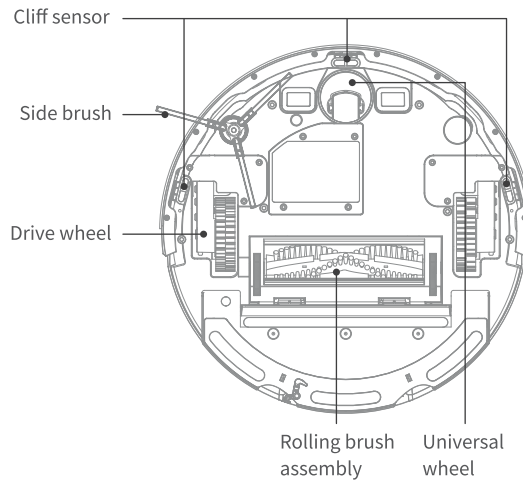
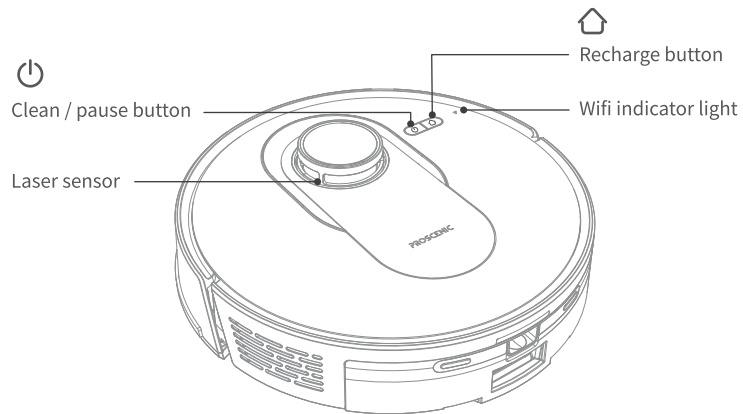
Charge for
4H before first
use



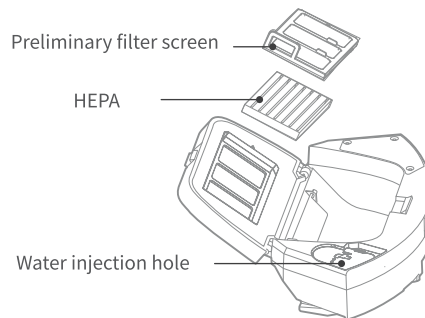
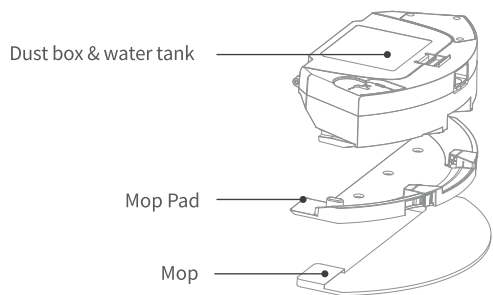
* Long press  button to switch on, place the robotic vacuum cleaner on the dust collector to begin charging.

PRODUCT PRESENTATION

ROBOTIC VACUUM CLEANER



DUST BOX TANK



APP CONNECTION

To use all available functions, we recommend using the app to control your robot.

APP Downloading and Installation



1. Download app from the App Store (for iOS) or Google Play (for Android).
2. Open the app and create an account.
3. Tap " + " icon to add " **Q8max** " to your account.
4. Follow instructions in the app to set up Wi-Fi connection.

Before starting, ensure to:

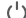
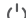
1. your mobile phone is connected to a Wi-Fi network.
2. The 2.4GHz band wireless signal is enabled on your router.
3. You can download the Proscenic App on the Google Play or Apple App Store.

Manual connection


1. Press and hold the "⏻" and "🏠" buttons at the same time for 5s to enter network configuration mode.
2. Select the wifi router your phone is connected to, and enter the password.
3. Go to settings and WLAN list to connect to the hotspot "**Proscenic-Q8max-XXXX**".
4. Go back to the Proscenic app and complete the wifi connection.

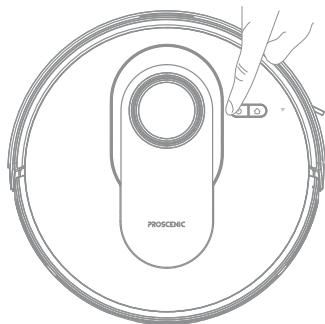
PRODUCT USE

Turn on / off

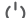
- Long press  key to start switch on, the power indicator is on, the robot enters the standby state.
- Long press  key to shutdown, the indicator lights all off, shutdown success.
- * The robotic vacuum cleaner cannot be shut down while charging.

Start cleaning

- Short press the  key on the robotic vacuum cleaner to start the cleaning. After starting the cleaning, the machine will dynamically plan the cleaning route according to the scanned map. In the selected cleaning area, the machine will start along the wall and then cleaning in zig-zag, orderly and efficient coverage.




Pause / Continue

- When the machine is in operation, press any key to pause. Press the  key to continue the cleaning.

Sleep / wake up

- After more than 10 minutes without operation, the machine will automatically enter the dormant state. In the dormant state, the power indicator light is off, and press any key to wake up the machine.

Charge

- After the cleaning, the machine will automatically return to the dust collector to charge.
- In standby / pause state, press  to start the recharge.

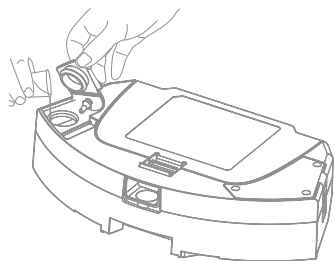
! Caution:

- If the power is too low, it will not start cleaning. Please charge before you start cleaning.
- Please tidy up all kinds of wires on the ground before cleaning to avoid electrical power failure or wire damage caused by the machine when cleaning.

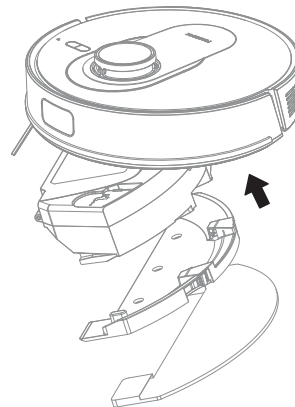
PRODUCT USE

Mopping system

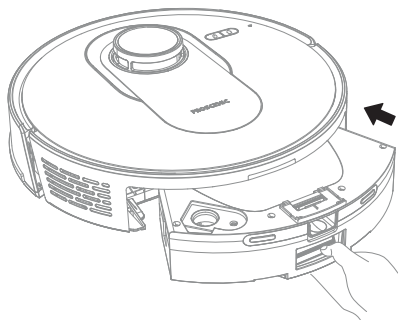
1. Add water



2. Install the mop pad and mop



3. Install the dust box & water tank back to the main board

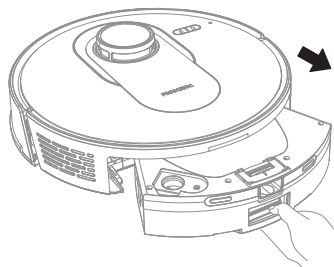


- Please make sure the floor is carpet-free when using the mopping function. You may set the carpeted portion of the floor as an exclusion zone after the first sweep in the app, so that you can use the mopping function normally without having to put away the carpet.
- After mopping is complete, please clean the water tank, mopping board, and wash the mop in a timely manner to ensure that there is no odor.

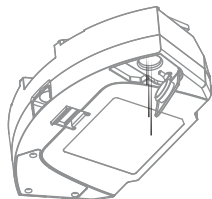
REGULAR MAINTENANCE

Clean up the 2-in-1 dust box & water tank

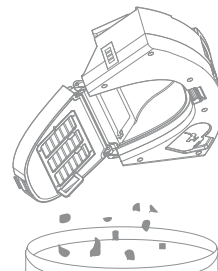
1. Press the dust box button to remove the 2-in-1 dust box & water tank



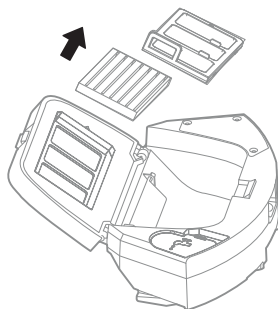
2. Empty the water tank



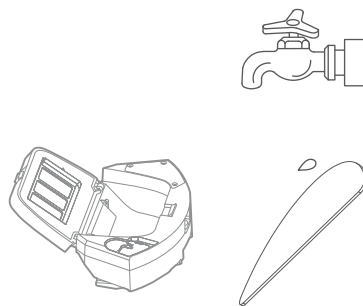
3. Open the dust box to dump the garbage



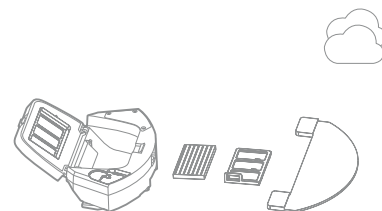
4. Take out the high efficient filter HEPA and the primary filter, tap the high efficient filter HEPA to remove dust



5. Wash the dust box, primary filter and filter sponge with water



6. Dry the washed components

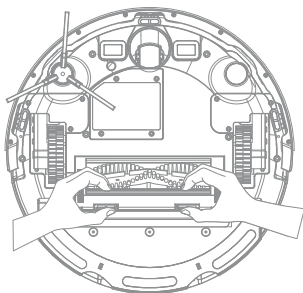


- !** Before installing the filters, make sure that the high efficient filter HEPA and the primary filter are dry.

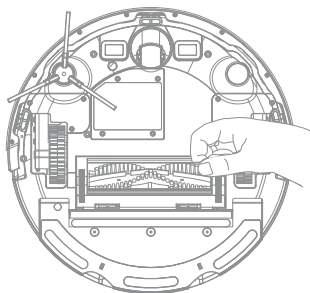
REGULAR MAINTENANCE

Clean up the rolling brush

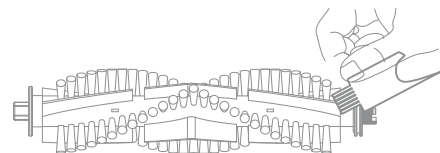
1. Open the roll-brush cover assembly



2. Remove the rolling brush

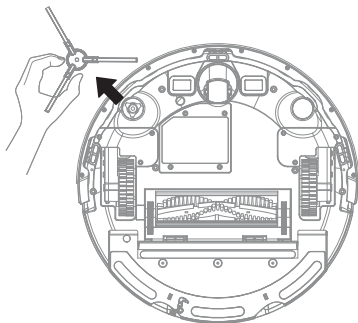


3. Clean up the roll brush with the tool

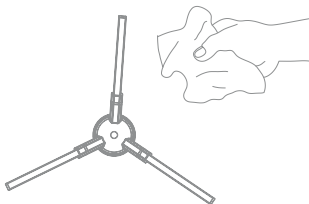


Clean up the side brush

1. Take off the side brush

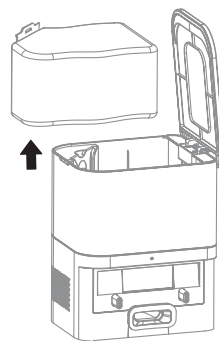


2. Clean up the side brush with the tool



Dust collector maintenance

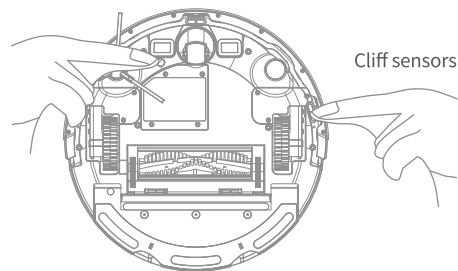
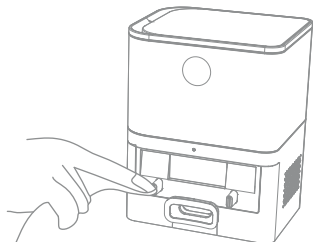
Remove the dust bag vertically and replace a new one.



REGULAR MAINTENANCE

Clean up the sensor

- ! Clean up the charging plates.



Frequency of maintenance

To achieve the best cleaning effect, clean and maintain the machine regularly according to the table below. Please decide the frequency of cleaning and maintenance according to the actual use habits.

Part / component	Maintenance Frequency
Dust collector	Once a week
Sensors	Once a month

MAINBODY INDICATOR LIGHT / WI-FI INDICATOR

Mainbody Indicator Light

Status	Clean button Indicator	Recharge button Indicator
Power On	Blue breathing	/
Firmware upgrade	Blue breathing	/
Charging	Blue breathing	/
Standby	Blue light On	/
Working	Blue light On	/
Charging is complete	Blue light On	/
Network Connection Successful	Blue light On	/
Network Connection	Blue light On	/
Error	Red blinking	/
Low battery/recharging	/	Orange blinking

Wi-Fi indicator

Status	Indicator
Waiting to Connect	Slow blinking
Connecting	Fast blinking
Wi-Fi Connected	Lights on
Wi-Fi Disconnected	Lights off

Dust collector indicator

Status	Indicator
Power On	Blue light on
Connecting	Blue light flashing
Charging	Blue light breathing
Error	Red light flashing

TROUBLESHOOTING

Question	Possible causes and solutions
Can't boot	If the battery is low, please place the machine on dust collector for fully charge before use. If the battery temperature is too low or too high, please use it at 0-40°C.
Unable to charge	If the base is not powered on, please check the indication light is on; if not, please check the power cord for both ends have been properly inserted; Poor contact, please clean the charging plates of the dust collector and the machine.
Slow charging	In high temperature or low temperature environment, the machine automatically reduce the charging speed in order to extend the battery life. The charging contact area may be dirty, please clean the area with a dry cloth.
Can't recharge	There are too many obstacles near the dust collector, please put the dust collector in open area; The machine is too far away from the dust collector, please put the machine near the dust collector and try again.
Abnormal behaviour	Please confirm whether the machine sensor is abnormal. If there is no abnormality, please turn the machine off and turn it on again.
Abnormal sounds when cleaning	The rolling brush, side brush or the main wheel may be entangled with obstacles, please stop and clean it. The universal wheel may be winding, it is recommended to take out the universal wheel for clean up.
Cleaning ability decrease or ash dropping	The dust box is full or the filter has been blocked, please clean the dust box and filter; The rolling brush is wrapped by obstacles, please clean up the rolling brush.
Unable to connect WiFi	If Wi-Fi function is not activated, please reset Wi-Fi and try again; The Wi-Fi signal is not good, please ensure that the machine is in a good Wi-Fi signal coverage area; If Wi-Fi connection is abnormal, reset Wi-Fi and download the latest mobile phone version. Try to connect again; Wi-Fi suddenly lost the connection, suspected that the home router is malfunction, you can contact the customer service for help; the machine does not support 5G network. Please switch it to 2.4G Wi-Fi.
The robot is trapped at work	The machine may be entangled or stuck by the scattered wires and drooping curtains on the ground. It is recommended to tidy up the room before cleaning; The machine may be stuck by similar height of furniture, can either raise the high of furniture by adding some pad or block the furniture area for cleaning.

PARAMETER

Robotic vacuum cleaner

Battery cell	14.4V/3200mAh Lithium-ion battery
Power input	19V/0.6A
Charging time	About 4-5H
Frequency band	2412MHz-2472MHz
Max.radio-frequency power	18.5 dBm

FCC Compliance Statement:

This device complies with Part 15 of the FCC Rules. Operation is subject to the following two conditions:

(1) This device may not cause harmful interference, and (2) this device must accept any interference received, including interference that may cause undesired operation.

Warning: Changes or modifications not expressly approved by the party responsible for compliance could void the user's authority to operate the equipment.

Note: This equipment has been tested and found to comply with the limits for a Class B digital device, pursuant to Part 15 of the FCC Rules. These limits are designed to provide reasonable protection against harmful interference in a residential installation. This equipment generates, uses, and can radiate radio frequency energy and, if not installed and used in accordance with the instructions, may cause harmful interference to radio communications. However, there is no guarantee that interference will not occur in a particular installation. If this equipment does cause harmful interference to radio or television reception, which can be determined by turning the equipment off and on, the user is encouraged to try to correct the interference by one or more of the following measures: (1) Reorient or relocate the receiving antenna. (2) Increase the separation between the equipment and receiver. (3) Connect the equipment into an outlet on a circuit different from that to which the receiver is connected. (4) Consult the dealer or an experienced radio/ TV technician for help.

FCC Radiation Exposure Statement:

This equipment complies with FCC radiation exposure limits set forth for an uncontrolled environment. This equipment should be installed and operated with minimum distance 20cm between the radiator & your body.

Dust collector

Power input	100V-130V ~ Or 220-240V~
Power output	19V/0.7A

Bluetooth

Standard	BLE 5.0 at 1Mbps
Frequency Band	2400 MHz to 2483.5 MHz

IC Warning:

This device complies with Industry Canada' s licence-exempt RSS standard(s). Operation is subject to the following two conditions:

- (1) this device may not cause interference, and
- (2) this device must accept any interference, including interference that may cause undesired operation of the device.

Le présent appareil est conforme aux CNR d'Industrie Canada applicables aux appareils radio exempts de licence. L'exploitation est autorisée aux deux conditions suivantes:

- (1) l'appareil n' doit pas produire de brouillage, et
- (2) l'utilisateur de l'appareil doit accepter tout brouillage radioélectrique subi, même si le brouillage est susceptible d'en compromettre le fonctionnement. This Class B digital apparatus complies with Canadian **ICES-003**. Cet appareil numérique de la classe B est conforme à la norme NMB-003 du Canada.

IC RF Statement:

When using the product, maintain a distance of 20cm from the body to ensure compliance with RF exposure requirements. Déclaration IC RF: Lors de l'utilisation du produit, maintenez une distance de 20 cm du corps pour garantir conformité aux exigences d' exposition aux RF.

SICHERHEITSHINWEISE

WICHTIGE SICHERHEITSHINWEISE – NUR FÜR DEN HEIMBETRIEB

Grundlegende Vorsichtsmaßnahmen sollten immer befolgt werden, wenn Elektrogeräte verwendet werden, einschließlich der folgenden:

WARNUNG! LESEN SIE ALLE SICHERHEITSHINWEISE UND DIE GESAMTE BEDIENUNGSANLEITUNG. Die Nichtbeachtung der Warnungen und Anweisungen kann zu einem Stromschlag, Brand oder schweren Verletzungen führen. Bitte lesen Sie alle Anweisungen, bevor Sie diesen Roboter verwenden.

WARNUNG:

- Dieser Roboter ist für Kinder ab 8 Jahren sowie Personen mit eingeschränkten körperlichen, sensorischen oder geistigen Fähigkeiten oder Mangel an Erfahrung und Wissen bestimmt, sofern sie beaufsichtigt oder im sicheren Gebrauch des Roboters unterwiesen wurden und sind sich möglicher Gefahren bewusst sein. Kinder dürfen nicht mit diesem Roboter spielen. Reinigung und Benutzerwartung sollten nicht von Kindern ohne Aufsicht durchgeführt werden.
- Der Saugroboter muss gemäß den Anweisungen in dieser Bedienungsanleitung verwendet werden. Das Unternehmen kann nicht für Schäden oder Verletzungen haftbar gemacht werden, die durch unsachgemäße Verwendung verursacht werden.

Um das Risiko von Verletzungen oder Beschädigungen zu mindern, müssen die folgenden Sicherheitshinweise bei der Installation, Benutzung und Wartung beachtet werden:

- Bitte lesen Sie alle Sicherheits- und Bedienungsanweisungen, bevor Sie das Gerät benutzen.
- Bewahren Sie die Sicherheits- und Bedienungsanweisungen für das spätere Nachschlagen auf. Sollten Sie das Handbuch versehentlich verlieren, können Sie auf der offiziellen Website eine elektronische Version herunterladen. (<https://www.proscenic.com>).

- Beachten Sie alle Warnhinweise auf dem Gerät, dem Akku, der Staubfänger und in der Bedienungsanleitung.
- Befolgen Sie alle Bedienungs- und Gebrauchshinweise.



Folgende Hinweise sind auf den Etiketten bzw. der Verpackung des Geräts zu finden:

Entsorgen Sie Elektrogeräte nicht als unsortierten Hausmüll, sondern nutzen Sie spezielle Sammelstellen für die Mülltrennung. Kontaktieren Sie Ihre lokalen Behörden zum Erhalt von Informationen über geeignete Entsorgungsverfahren. Wenn Elektrogeräte auf Mülldeponien entsorgt werden, können gefährliche Stoffe ins Grundwasser und in die Nahrungskette gelangen und die Gesundheit von Menschen schädigen. Für weitere Informationen zu Wiederverwertungs- und Recyclingprogrammen, wenden Sie sich an Ihre lokale oder regionale Abfallbehörde.

EINSCHRÄNKUNGEN

- Dieses Gerät ist nur für die Verwendung im Innenbereich vorgesehen. Verwenden Sie es nicht im Freien oder in gewerblichen und industriellen Umgebungen.
- Bevor Sie den Roboter verwenden, organisieren und lagern Sie bitte Bodengegenstände wie Kleidung, lose Blätter, Seile oder Vorhänge, Netzkabel und andere zerbrechliche Gegenstände. Wenn der Roboter über ein Stromkabel geht und daran zieht, ist es möglich, einen Gegenstand oder einen Tisch oder ein Regal zu ziehen.
- Ihr Roboter ist kein Spielzeug. Setzen oder stellen Sie sich nicht auf den Roboter. Kinder und Haustiere sollten beaufsichtigt werden, wenn Ihr Roboter läuft.
- Lagern und betreiben Sie das Gerät bei Raumtemperatur.
- Verwenden Sie den Roboter nicht, um brennende oder rauchende Gegenstände aufzuheben.

- Verwenden Sie den Roboter nicht, um Bleichmittel, Farbe oder andere Chemikalien oder nasse Gegenstände aufzunehmen.
- Falls der zu reinigende Bereich einen Balkon beinhaltet, sollte eine physische Barriere verwendet werden, um den Zugang des Geräts zum Balkon zu unterbinden und einen sicheren Betrieb zu gewährleisten.
- Roboter sind nicht für die Benutzung durch Personen (einschließlich Kinder) mit eingeschränkten körperlichen, sensorischen oder geistigen Fähigkeiten oder Mangel an Erfahrung und Wissen geeignet, es sei denn, sie werden unter Aufsicht oder Anleitung einer für ihr Aussehen und ihre Gesundheit und Sicherheit verantwortlichen Person benutzt.
- **Kinder müssen beaufsichtigt werden, um sicherzustellen, dass sie nicht mit dem Gerät spielen. Die Reinigung und Benutzerwartung darf außerdem nicht von Kindern durchgeführt werden ohne die Beaufsichtigung durch einen Erwachsenen.**
- Platzieren Sie keine Gegenstände auf dem Saugroboter.
- Bitte beachten Sie, dass sich das Gerät von selbst bewegt. Seien Sie vorsichtig, wenn Sie den Betriebsbereich betreten, um nicht auf den Saugroboter zu treten.
- Betreiben Sie das Gerät nicht in einem Bereich, in dem eine Bodensteckdose freiliegt.

AKKU UND AUFLADUNG

- Verwenden Sie nur Akkus mit Spezifikationen, die von unserem Unternehmen unterstützt werden.
- Verwenden Sie zum Aufladen die standardmäßig ausgelieferte Staubfänger. Dieses Gerät darf nicht mit anderen Netzteilen verwendet werden. Die Verwendung anderer Netzteile führt zum sofortigen Erlöschen der Garantie.
- Verwenden Sie keine Staubfänger mit einem beschädigten Netzkabel oder Stecker. Wenn das Netzkabel oder der Stecker beschädigt ist, muss es vom Hersteller oder einer ähnlich qualifizierten Person repariert werden.
- Stellen Sie sicher, den Akku im Saugroboter und im Zubehör aufzuladen und herauszunehmen, bevor Sie den Saugroboter für längere Zeit lagern oder transportieren.

- Der Batterietyp der Fernbedienung ist eine AAA-Alkalibatterie. (Einige Modelle enthalten keine Fernbedienung)
- Um die Batterien der Fernbedienung auszutauschen, schieben Sie die Batterieabdeckung auf der Rückseite der Fernbedienung auf, nehmen Sie die Batterieabdeckung ab und ersetzen Sie die Batterien.
- Laden Sie das Gerät nur in Innenräumen auf.
- Die Staubfänger Ihres Saugroboters ist möglicherweise durch einen Überspannungsschutz geschützt, um Überspannungen zu vermeiden.
- Bedienen Sie die Staubfänger nicht mit feuchten Händen.
- Vor der Reinigung oder Wartung des Geräts muss der Stecker aus der Steckdose abgezogen werden.
- Stellen Sie sicher, dass die Nennspannung der mitgelieferten Staubfänger mit der Netzspannung an einer Standardsteckdose übereinstimmt.
- Verbrauchte Akkus müssen in einen verschlossenen Plastikbeutel gepackt und entsprechend den örtlichen Umweltvorschriften sicher entsorgt werden.
- Überprüfen Sie den Akku vor jedem Gebrauch auf Anzeichen von Beschädigung oder Auslaufen. Laden Sie beschädigte oder auslaufende Akkus nicht auf.
- Falls ein Akku ausläuft, wenden Sie sich bitte an den Kundendienst.
- Der Akku muss vor der Entsorgung aus dem Gerät entfernt werden.
- Akkus nicht eindrücken oder auseinanderbauen. Den Akku keiner Hitze aussetzen und nicht in die Nähe einer Wärmequelle bringen.
- Den Akku nicht verbrennen. Den Akku nicht kurzschließen.
- Den Akku nicht in Flüssigkeiten tauchen.
- Zerquetschen oder zerlegen Sie den Roboter nicht.

ACHTUNG

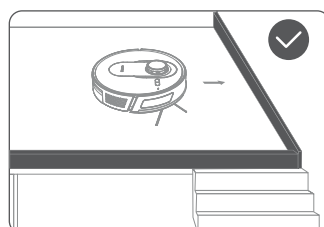
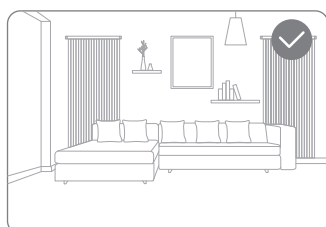
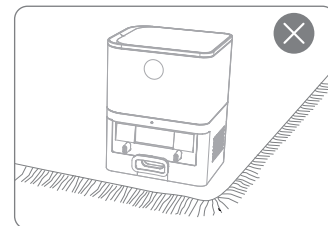
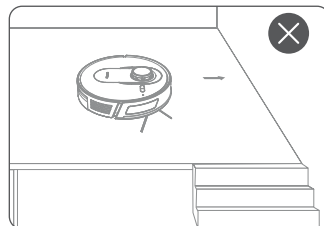
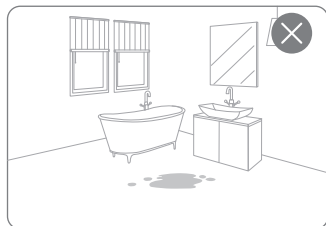
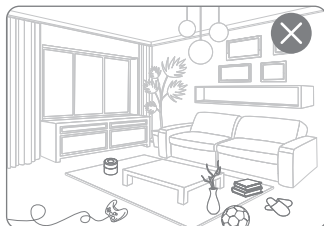
- Der Lasersensor dieses Produkts entspricht der Norm IEC 60825-1:2014 für Laserprodukte der Klasse 1. Bitte vermeiden Sie während der Nutzung direkten Augenkontakt.
- Das Gerät unterstützt die Bluetooth-Funktion, die bei der Wi-Fi-Verbindung hilft.

SICHERHEITSHINWEISE



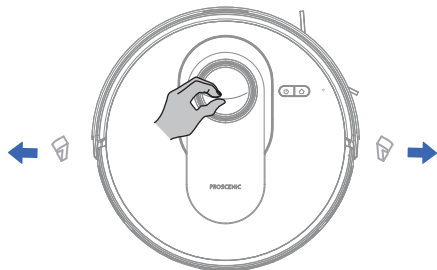
BEACHTEN

1. Bitte reinigen Sie vor der Verwendung die auf dem Boden verstreuten Drähte und Ablagerungen und entfernen Sie leicht entsorgbare, zerbrechliche, wertvolle und gefährliche Gegenstände, um zu verhindern, dass sich der Kehrroboter darin verheddert, blockiert, schleift oder umstößt und Personen- oder Sachschäden verursacht. Verlust.
2. Bitte vermeiden Sie die Verwendung dieses Produkts in Bereichen mit stehendem Wasser, da es sonst den Lüfter beschädigt und die Maschinenleistung beeinträchtigt.
3. Es ist strengstens verboten, dieses Produkt an hochgelegenen Orten ohne Leitplanken zu verwenden.
4. Die Staubfänger kann nicht auf einem Teppich platziert werden. Bitte stellen Sie die Staubfänger auf eine harte Oberfläche wie den Boden oder Marmor.

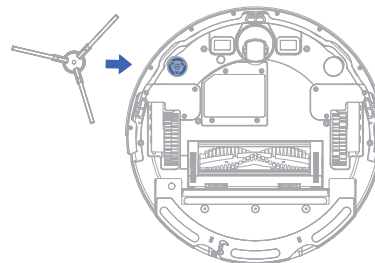


VOR GEBRAUCH

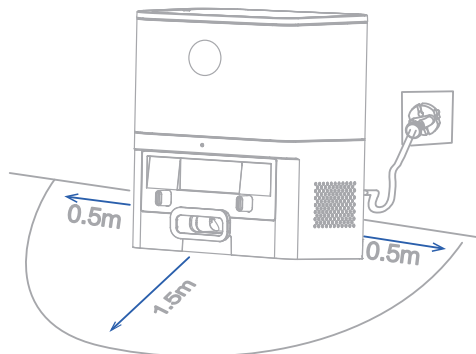
1. Schutzstreifen und Schutzfolie entfernen.



2. Seitenbürste einbauen.

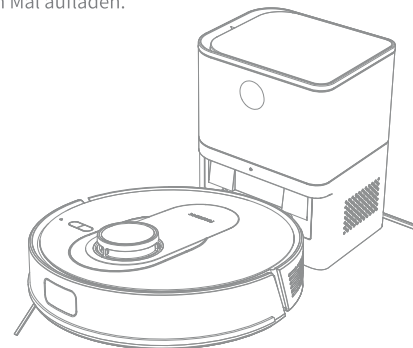



3. Platzieren Sie die Staubfänger.



4. Zum ersten Mal aufladen.

4 Stunden
vor dem ersten
Gebrauch
aufladen.

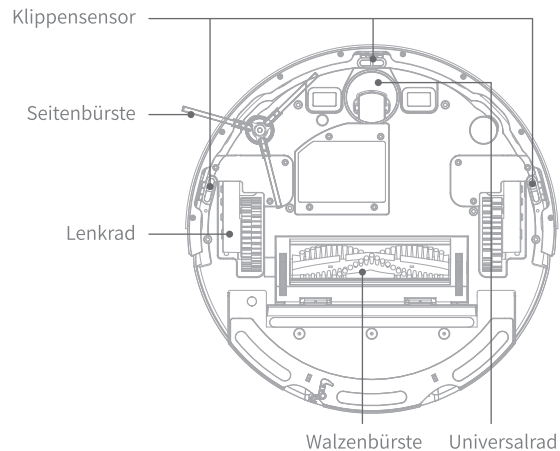
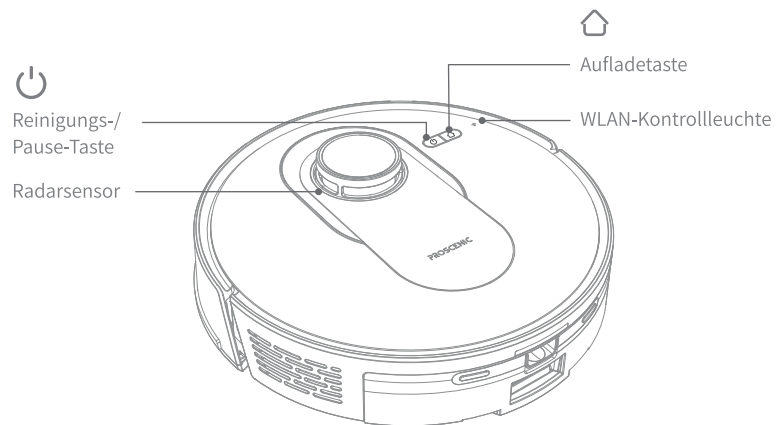


* Drücken Sie  lange auf die Taste, um das Gerät einzuschalten, und stellen Sie den Staubsaugerroboter auf den Staubbehälter, um mit dem Aufladen zu beginnen.

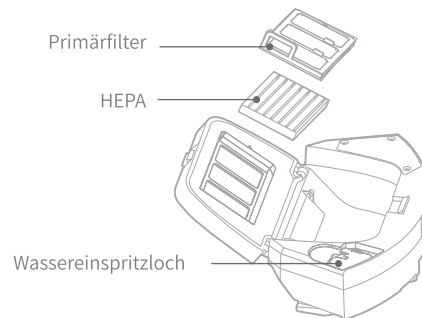
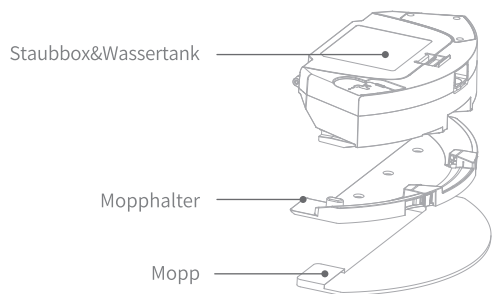
* Der Ladeständer muss an der Wand platziert werden, so dass auf der linken und rechten Seite 2 Fuß und vorne 5 Fuß Platz bleiben.

PRODUKTBESCHREIBUNG

IL ROBOT



2-IN-1 STAUBBOX WASSERTANK



APP-VERBINDUNG

Um weitere verfügbare Funktionen nutzen zu können, empfehlen wir Ihnen, Ihren Roboter über die Proscenic-App zu steuern.

APP herunterladen und installieren



1. Laden Sie die App aus dem App Store (für iOS) oder Google Play (für Android) herunter.
2. Öffnen Sie die Anwendung und erstellen Sie ein Konto.
3. Klicken Sie auf das " + "-Symbol, um "Q8 Max" zu Ihrem Konto hinzuzufügen.
4. Befolgen Sie die Anweisungen in der App, um eine WLAN-Verbindung herzustellen.

Bevor Sie beginnen, stellen Sie bitte Folgendes sicher:



1. Ihr Telefon ist mit einem Wi-Fi-Netzwerk verbunden.
2. Das WLAN-Signal im 2,4-GHz-Band ist am Router aktiviert.
3. Sie können die Proscenic-App bei Google Play oder im Apple App Store herunterladen.

Manual connection


1. Halten Sie die " ⏻ " und die " 🏠 " -Taste gleichzeitig für 5 Sek. gedrückt, um in den Netzwerkkonfigurationsmodus zu gelangen.
2. Wählen Sie den WLAN-Router, mit dem Ihr Telefon verbunden ist, und geben Sie das Passwort ein.
3. Gehen Sie auf Einstellungen und WLAN-Liste, um sich mit dem Hotspot "Proscenic - Q8 Max-xxxx " zu verbinden.
4. Kehren Sie zur Proscenic APP zurück und schließen Sie

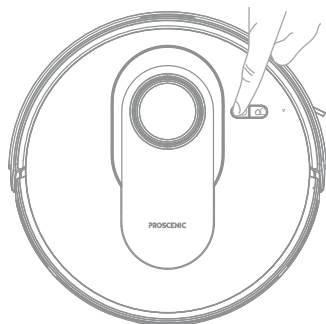
PRODUKTOPERATIONEN

an/aus

- Drücken Sie lange auf die  Taste, um das Gerät ein- oder auszuschalten.
- Wenn die Maschine läuft, drücken Sie zum Anhalten eine beliebige Taste. Drücken Sie die  Taste erneut, um mit der Arbeit fortzufahren.
- * Das Gerät kann während des Ladevorgangs nicht ausgeschaltet werden.

Fang an zu putzen

- Drücken Sie kurz die  Taste an der Kehrmaschine, um mit der Reinigung zu beginnen. Nach Beginn der Reinigung plant die Maschine dynamisch die Reinigungsrouten basierend auf der gescannten Karte. Im ausgewählten Reinigungsbereich beginnt die Maschine entlang der Wand und reinigt dann im Zickzackmuster, sodass eine geordnete und effiziente Abdeckung gewährleistet ist.




Bei der ersten Verwendung oder einem Wechsel der Reinigungsszenen führt der Roboter zunächst eine Schnellkartierungsfunktion durch, um sicherzustellen, dass er die Reinigungsumgebung schneller verstehen kann. Dieser Vorgang dauert etwa 10 Minuten, dann beginnt die Reinigungsaufgabe.

Schlafen / Wach

- Das Gerät wechselt automatisch in den Schlafmodus, wenn es sich länger als zehn Minuten im Standby-Modus befindet. Im Ruhezustand erlischt die Betriebsanzeige und Sie können das Gerät zu diesem Zeitpunkt durch Drücken einer beliebigen Taste aufwecken.

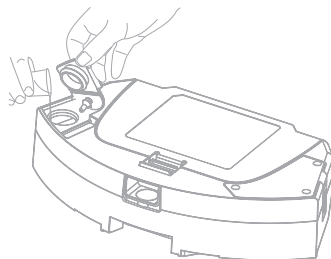
Zurück zum Laden

- Drücken Sie im Pause- und Standby-Modus die Taste , um das Gerät zum Aufladen wieder in die Staubfänger zu stellen.
- Wenn der Akku während des Betriebs schwach wird, kehrt die Maschine zum Laden zurück und setzt ihre Aufgabe fort, nachdem der Ladevorgang abgeschlossen ist.

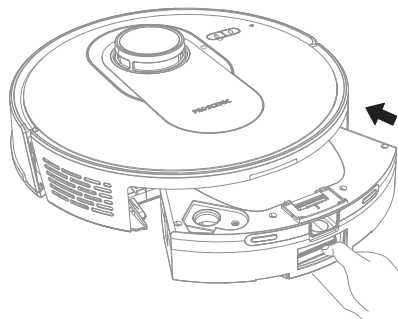
PRODUKTOPERATIONEN

Wischsystem

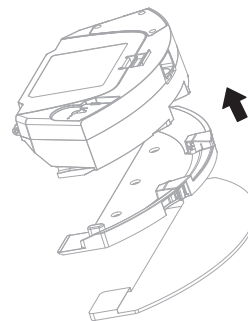
1. Wasser hinzufügen



3. Setzen Sie den Staubbehälter & den Wassertank wieder in das Hauptgerät ein



2. Montieren Sie die Mophalterung und das Wischtuch

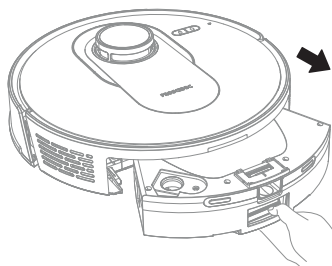


- Bitte achten Sie darauf, dass sich beim Benutzen der Wischfunktion kein Teppich auf dem Boden befindet. Sie können einen Teil des Teppichs nach der ersten Reinigung in der App als Sperrbereich festlegen, sodass Sie die Wischfunktion normal nutzen können, ohne den Teppich wegzulegen.
- Nach dem Wischen des Bodens reinigen Sie bitte rechtzeitig den Wassertank, das Wischbrett und den Reinigungsmopp, um sicherzustellen, dass keine Gerüche entstehen.

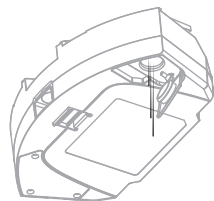
ROUTINEWARTUNG

Staubbox & Wassertank reinigen

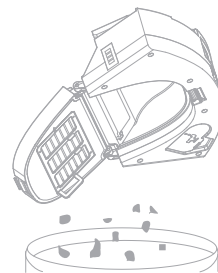
1. Drücken Sie die Taste, um Staubbox & Wassertank zu entfernen



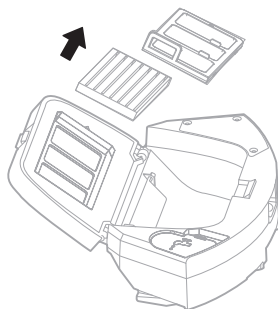
2. Leeren Sie das Wasser im Wassertank



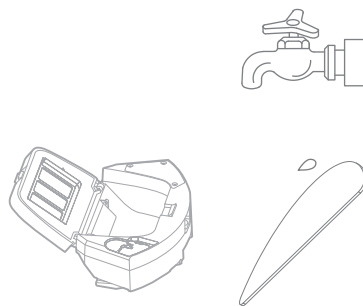
3. Öffnen Sie den Mülleimer und entsorgen Sie den Müll



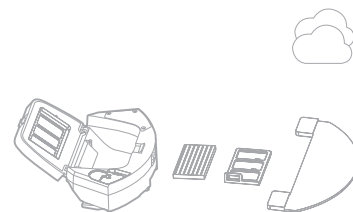
4. Nehmen Sie den HEPA und den Primärfilter heraus und reinigen Sie den Staub vom Filter



5. Reinigen Sie den Staubbehälter und den Primärfilter



6. trocken

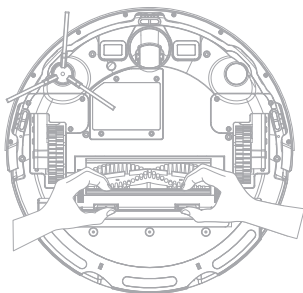


! Bitte stellen Sie beim Einbau des Primärfilters und des HEPA sicher, dass alle Teile vollständig trocken sind.

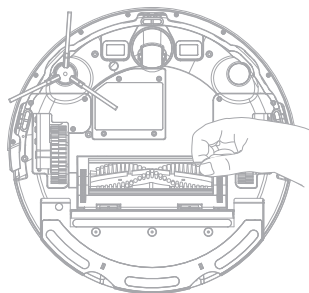
ROUTINEWARTUNG

Walzenbürste reinigen

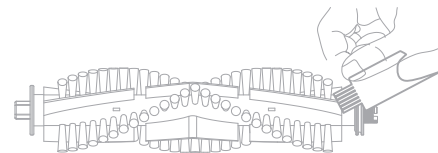
1. Öffnen Sie die Abdeckung der Walzenbürste



2. Nehmen Sie die Bürstenwalze heraus

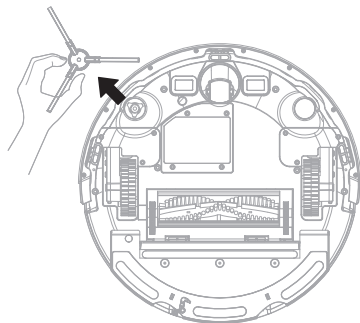


3. Reinigen Sie die Bürstenwalze mit einer Reinigungsbürste

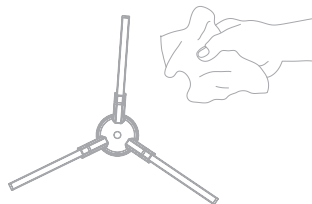


Reinigen Sie die Seitenbürste

1. Entfernen Sie die Seitenbürste

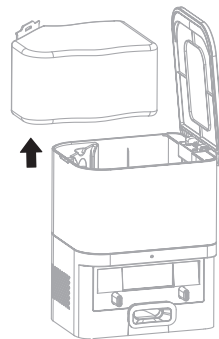


2. Reinigen Sie die Seitenbürste



Wartung des Staubsammlers

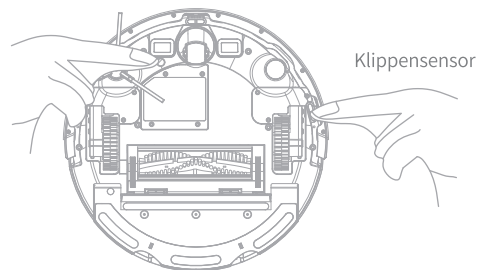
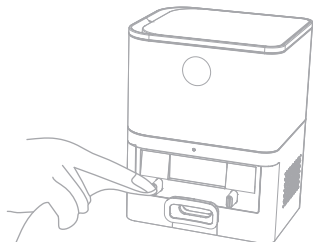
Nehmen Sie den Staubbeutel senkrecht heraus und ersetzen Sie ihn durch einen neuen.



ROUTINEWARTUNG

Reinigen Sie den Sensor

! Reinigen Sie die Ladeplatten.



Reinigungshäufigkeit

Um die optimale Leistung Ihres Roboters zu gewährleisten, führen Sie Wartungsarbeiten und den Austausch von Teilen mit der folgenden Häufigkeit durch:

Teil	Wartungshäufigkeit
Staubfänger	Wöchentlich
Sensoren	Einmal pro Monat

HOST-ANZEIGELEUCHTE / WI-FI-ANZEIGELEUCHTE

Host-Anzeigeleuchte

Maschinenstatus	Leuchtanzeige der Reinigungstaste	Leuchtanzeige der Ladetaste
Einschaltzustand	Blaues Atemlicht	/
Firmware-Upgrade	Blaues Atemlicht	/
Aufladen	Blaues Atemlicht	/
Standby Modus	Blaues Licht immer an	/
auf Arbeit	Blaues Licht immer an	/
Ladevorgang beendet	Blaues Licht immer an	/
Netzwerkverteilung erfolgreich	Blaues Licht immer an	/
Verteilendes Netzwerk	Blaues Licht blinkt	/
Fehler	Rotes Licht blinkt	/
Batterie schwach/Aufladen	/	Orangefarbenes Licht leuchtet immer

Wi-Fi-Anzeigeleuchte

Zustand	Lichtanzeige
Auf Verbindung warten	Licht blinkt langsam
verbinden	Licht blinkt schnell
WLAN ist verbunden	Licht immer an
WLAN-Verbindung verloren	Lichter aus

Staubfänger-Anzeigeleuchte

Zustand	Lichtanzeige
Einschaltzustand	Blaues Licht immer an
verbinden	Blaues Licht blinkt schnell
Aufladen	Blaues Licht blinkt langsam
Fehler	Rotes Licht blinkt

FEHLERBEHEBUNG

Frage	Mögliche Ursachen und Lösungen
Kann nicht booten	Wenn die Batterie schwach ist, stellen Sie den Roboter bitte vor der Verwendung auf den Staubsammler, um ihn vollständig aufzuladen. Es. Wenn die Batterietemperatur zu niedrig oder zu hoch ist, verwenden Sie sie bitte bei 0–40 °C.
Aufladen nicht möglich	Wenn die Basis nicht eingeschaltet ist, überprüfen Sie bitte, ob die Anzeigeleuchte leuchtet. Wenn nicht, überprüfen Sie bitte, ob beide Enden des Netzkabels richtig eingesteckt sind. Schlechter Kontakt, bitte reinigen Sie die Ladeplatten der Staubfänger und des Roboters.
Langsames Laden	In Umgebungen mit hohen oder niedrigen Temperaturen reduziert der Roboter automatisch die Ladegeschwindigkeit, um die Batterielebensdauer zu verlängern. Der Ladekontaktbereich ist möglicherweise verschmutzt. Bitte reinigen Sie den Bereich mit einem trockenen Tuch.
Kann nicht aufgeladen werden	In der Nähe der Staubfänger befinden sich zu viele Hindernisse. Stellen Sie die Staubfänger bitte im Freien auf. Der Roboter ist zu weit von der Staubfänger entfernt. Bitte stellen Sie den Roboter in die Nähe der Staubfänger und versuchen Sie es erneut.
Abnormales Verhalten	Bitte bestätigen Sie, ob der Robotersensor abnormal ist. Wenn keine Auffälligkeiten vorliegen, schalten Sie den Roboter bitte aus und wieder ein.
Ungewöhnliche Geräusche beim Reinigen	Die Rollbürste, die Seitenbürste oder das Hauptrad können sich in Hindernissen verfangen. Bitte halten Sie an und reinigen Sie sie. Das Universalrad dreht sich möglicherweise. Es wird empfohlen, das Universalrad zum Reinigen herauszunehmen.
Die Reinigungsleistung nimmt ab oder es fällt Asche ab	Der Staubbehälter ist voll oder der Filter ist verstopft. Bitte reinigen Sie den Staubbehälter und den Filter. Die Rollbürste ist von Hindernissen umhüllt. Bitte reinigen Sie die Rollbürste.
Es kann keine WLAN-Verbindung hergestellt werden	Wenn die WLAN-Funktion nicht aktiviert ist, setzen Sie WLAN bitte zurück und versuchen Sie es erneut. Das WLAN-Signal ist nicht gut. Bitte stellen Sie sicher, dass sich der Roboter in einem Bereich mit guter WLAN-Signalabdeckung befindet. Wenn die WLAN-Verbindung nicht normal ist, setzen Sie WLAN zurück und laden Sie die neueste Mobiltelefonversion herunter. Versuchen Sie erneut, eine Verbindung herzustellen. Wi-Fi hat plötzlich die Verbindung verloren, vermutet, dass der Heimrouter eine Fehlfunktion hat, Sie können sich an den Kundendienst wenden, um Hilfe zu erhalten;
Der Roboter ist bei der Arbeit gefangen	Der Roboter kann sich in den verstreuten Drähten und herabhängenden Vorhängen auf dem Boden verfangen oder stecken bleiben. Es wird empfohlen, den Raum vor der Reinigung aufzuräumen; Der Roboter kann an ähnlich hohen Möbeln hängenbleiben. Sie können entweder die Höhe der Möbel erhöhen, indem Sie eine Unterlage hinzufügen, oder den Möbelbereich für die Reinigung blockieren.

PARAMETER

Roboterstaubsauger

Batteriezelle	14,4 V/3200 mAh Lithium-Ionen-Akku
Stromeingang	19V/0,6A
Ladezeit	ca. 4–5 Stunden
Frequenzbereich	2412MHz–2472MHz
Max.Hochfrequenzleistung	18,5dBm

Staubfänger

Leistungsaufnahme	100V–130V ~ Or 220–240V~
Leistung	19V/0,7A

Bluetooth

Standard	BLE 5.0 mit 1Mbps
Frequenzband	2400 MHz bis 2483,5 MHz

AVERTISSEMENT DE SÉCURITÉ

CONSIGNES DE SÉCURITÉ IMPORTANTES POUR UN USAGE DOMESTIQUE UNIQUEMENT

Vous devez toujours respecter les précautions de base lors de l'utilisation de tout équipement électrique, notamment les suivantes:

AVERTISSEMENT: LISEZ TOUTES LES CONSIGNES DE SÉCURITÉ ET LE MANUEL DANS SON INTÉGRALITÉ. Le non-respect des avertissements et des instructions peut entraîner une électrocution, un incendie ou des blessures graves. Veuillez lire toutes les instructions avant d'utiliser ce robot.

AVERTISSEMENT:

- Ce robot convient aux enfants âgés de 8 ans et plus. Les personnes dont les capacités physiques, sensorielles ou intellectuelles sont réduites, ou celles qui manquent d'expérience et de connaissances, doivent être surveillées ou recevoir des instructions pour utiliser l'appareil en toute sécurité; elles doivent également être conscientes des dangers éventuels. Les enfants ne doivent pas jouer avec ce robot. Le nettoyage et l'entretien par l'utilisateur ne doivent pas être effectués par des enfants sans surveillance.
- Ce robot doit être utilisé conformément aux instructions de ce manuel. La société n'est pas responsable des dommages ou des blessures causés par une mauvaise utilisation.

Pour réduire tout risque de blessure ou de dommage, veuillez respecter les mesures de sécurité suivantes lors de l'installation, de l'utilisation et de l'entretien de l'appareil:

- Avant d'utiliser le robot, veuillez lire toutes les instructions relatives à la sécurité et à son fonctionnement.
- Conservez ce manuel de sécurité et d'utilisation pour toute référence ultérieure. Si vous perdez par mégarde ce manuel, vous pouvez visiter le site officiel pour télécharger la version électronique. (<https://www.proscenic.com>).
- Respectez tous les avertissements figurant sur le robot, la batterie, la Dépoussiéreur et le manuel d'utilisation.

- Suivez toutes les instructions de fonctionnement et d'utilisation.



Les étiquettes ou l'emballage du produit précisent ce qui suit:

Ne pas jeter les appareils électriques comme des déchets non triés, il faut utiliser un collecteur de déchets séparé. Contactez vos autorités locales pour obtenir des informations concernant la méthode d'élimination appropriée. Si les appareils électriques sont mis au rebut dans des décharges, des substances dangereuses peuvent s'infiltrer dans les eaux souterraines, entrer ainsi dans la chaîne alimentaire et nuire à la santé des personnes. Contactez vos autorités locales ou régionales de gestion des déchets pour plus d'informations sur leurs programmes de recyclage et de réutilisation.

RESTRICTIONS

- Ce robot est destiné uniquement à un usage intérieur. Ne l'utilisez pas à l'extérieur, ni dans des environnements commerciaux ou industriels.
- Avant d'utiliser le robot, retirez du sol tout objet fragile tel que les vêtements, les feuilles volantes, les cordes ou les rideaux, ainsi que les cordons d'alimentation. Le robot peut en effet s'accrocher à un objet, une table ou une étagère s'il reste coincé par un câble.
- Ce robot n'est pas un jouet. Ne vous asseyez pas dessus et ne vous y tenez pas debout. Les enfants et les animaux domestiques doivent être surveillés lorsque le robot fonctionne.
- Stockez et utilisez le robot à température ambiante.
- N'utilisez pas ce robot pour nettoyer tout ce qui brûle ou fume.
- N'utilisez pas ce robot pour aspirer de l'eau de Javel, de la peinture ou d'autres produits chimiques, ou tout ce qui est humide.
- Si la zone de nettoyage comporte un balcon, une séparation physique doit être mise en place pour empêcher le robot d'accéder au balcon et garantir ainsi son fonctionnement en toute sécurité.
- Les personnes (y compris les enfants) ayant des capacités physiques,

sensorielles ou intellectuelles réduites, ou celles qui manquent d'expérience et de connaissances, doivent être surveillées ou recevoir des instructions pour pouvoir utiliser le robot en toute sécurité.

- **Les enfants doivent être surveillés pour s'assurer qu'ils ne jouent pas avec le robot. En outre, le nettoyage et l'entretien doivent être effectués toujours sous la surveillance d'un adulte.**
- Ne déposez rien sur le robot.
- Veuillez noter que le robot se déplace automatiquement. Donc, essayez d'être prudent lorsque vous marchez dans la zone d'opération pour éviter de marcher dessus.
- Ne faites pas fonctionner le robot dans une zone où il y a une prise de courant visible.

BATTERIE ET CHARGE

- N'utilisez que des batteries rechargeables dont les spécifications sont approuvées par notre société.
- Utilisez la Dépoussiéreur supplémentaire standard pour la recharge. Ce produit ne doit pas être utilisé avec un autre type d'adaptateur d'alimentation; l'utilisation d'autres adaptateurs d'alimentation annulera immédiatement la garantie.
- N'utilisez pas une Dépoussiéreur dont le cordon d'alimentation ou la fiche sont endommagés. Si le cordon d'alimentation ou la fiche sont endommagés, ils doivent être réparés par le fabricant ou par une personne de qualification similaire.
- Avant tout stockage de longue durée ou tout transport, veillez à charger et à retirer les batteries du robot et des accessoires.
- La télécommande fonctionne avec une pile alcaline de type AAA. (Certains modèles ne comprennent pas de télécommande)
- Pour remplacer les piles de la télécommande, faites glisser le couvercle des piles situé à l'arrière de la télécommande pour l'ouvrir, retirez ensuite le couvercle des piles et remplacez les piles.

- Chargez l'appareil uniquement à l'intérieur.
- On peut protéger la Dépoussiéreur de votre robot par un dispositif de protection contre les surtensions pour éviter les surtensions.
- N'utilisez pas la Dépoussiéreur en ayant les mains mouillées.
- Avant de nettoyer ou de faire l'entretien de l'appareil, il faut retirer la fiche de la prise.
- Assurez-vous que la tension nominale de la Dépoussiéreur jointe correspond bien à la tension de la prise standard.
- Les batteries usagées doivent être placées dans un sac en plastique scellé et éliminées en toute sécurité, conformément aux réglementations environnementales locales.
- Avant chaque utilisation, vérifiez que la batterie ne présente pas de signes de dommages ou de fuites. Ne chargez pas les batteries endommagées ou qui fuient.
- Si la batterie fuit, veuillez contacter le service client.
- La batterie doit être retirée du robot avant son élimination.
- N'écrasez pas et ne démontez pas la batterie. N'exposez pas la batterie à une source de chaleur et ne la placez pas à proximité de toute source de chaleur.
- N'incinerez pas la batterie. Ne pas la court-circuiter.
- Ne plongez pas la batterie dans un quelconque liquide.
- Ne pas écraser ou démonter le robot.

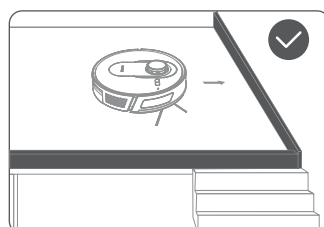
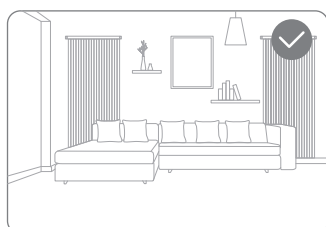
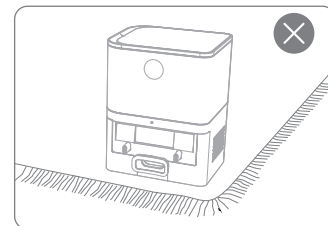
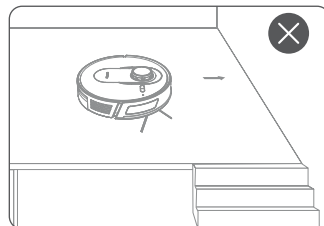
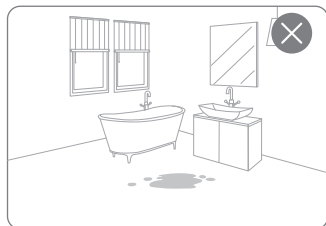
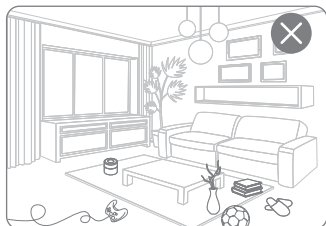
ATTENTION

- Le capteur laser de ce produit est conforme à la norme IEC 60825-1:2014 pour les produits laser de Classe 1. Veuillez éviter tout contact direct avec les yeux pendant l'utilisation.
- L'appareil prend en charge la fonctionnalité Bluetooth, qui aide à la connexion Wi-Fi.

AVERTISSEMENT DE SÉCURITÉ

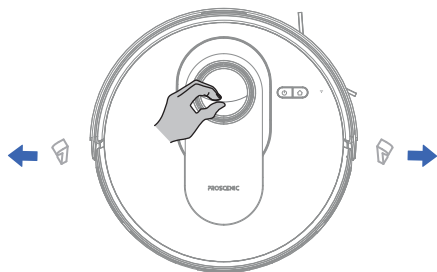
⚠ ATTENTION

1. Veuillez nettoyer les fils et les débris éparpillés sur le sol avant utilisation, et retirer les objets facilement jetables, fragiles, précieux et dangereux pour éviter tout enchevêtrement, blocage, traînage ou renversement du robot de balayage et causer des dommages personnels ou matériels.
2. Veuillez éviter d'utiliser ce produit dans des zones où il y a de l'eau stagnante, sinon cela endommagerait le ventilateur et affecterait les performances de la machine.
3. Il est strictement interdit d'utiliser ce produit dans des endroits élevés sans garde-corps.
4. Le support de chargement ne peut pas être placé sur un tapis. Veuillez placer la base de chargement sur une surface dure telle que le sol ou le marbre.

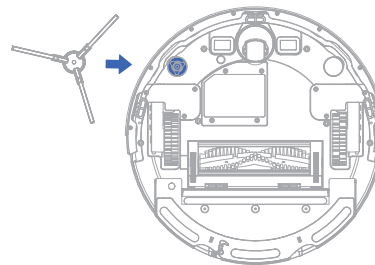


AVANT UTILISATION

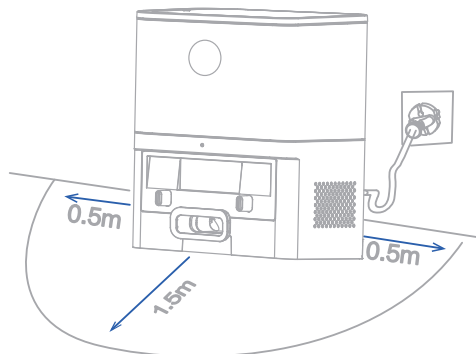
1. Retirez les bandes de protection et le film protecteur.



2. Installez la brosse latérale.



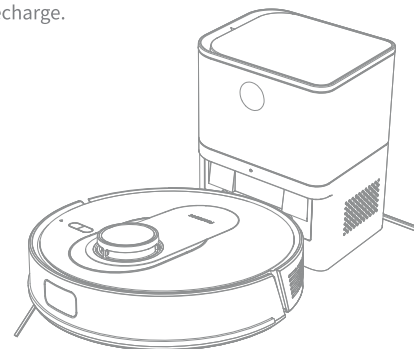
3. Placez le support de chargement.




* Le support de chargement doit être placé contre le mur, en laissant 2 pieds d'espace sur les côtés gauche et droit, et 5 pieds d'espace devant.

4. Première recharge.

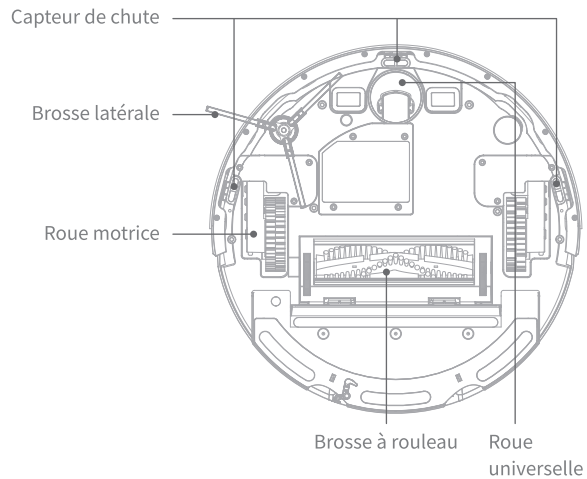
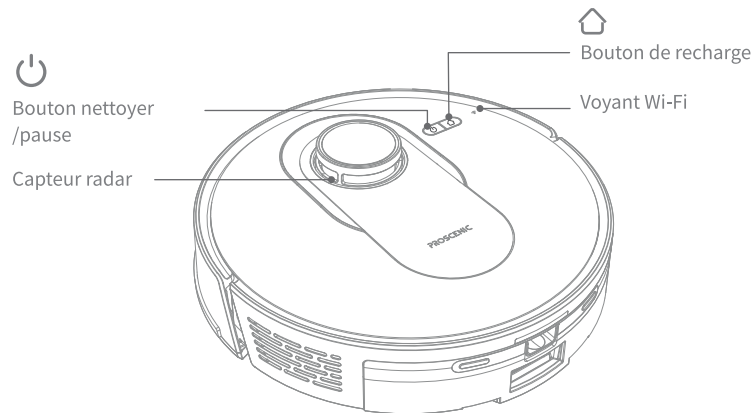
Chargez pendant 4 heures avant la première utilisation.



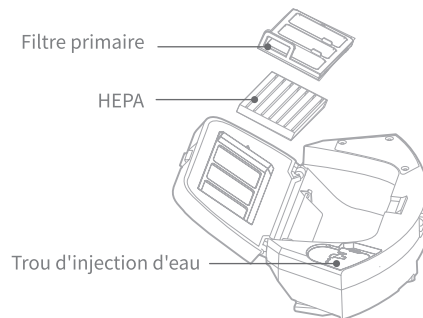
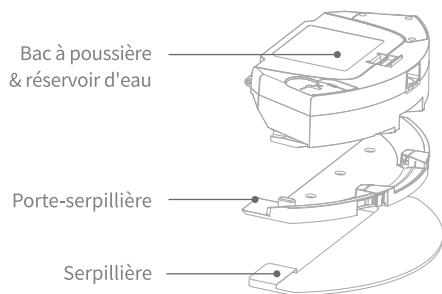
* Appuyez  longuement sur le bouton pour allumer l'appareil, placez l'aspirateur robotisé sur le collecteur de poussière pour commencer à le charger.

DESCRIPTION DU PRODUIT

LE ROBOT



2-IN-1 BAC À POUSSIÈRE & RÉSERVOIR D'EAU



CONNEXION À L'APP

Pour profiter de plus de fonctionnalités disponibles, nous vous recommandons de contrôler votre robot via l'APP Proscenic.

Installation et téléchargement de l'application



1. Téléchargez l'application depuis l'APP Store (appareils iOS) ou Google Play (appareils Android).
2. Ouvrez l'application et créez un compte utilisateur.
3. Tapez sur l'icône "+" pour ajouter "Q8 Max" à votre compte.
4. Suivez les instructions de l'application pour configurer la connexion Wi-Fi.

Avant de commencer, assurez-vous:



1. Votre téléphone est connecté à un réseau Wi-Fi.
2. Le signal sans fil dans la bande 2,4 GHz est activé sur le routeur.
3. Vous pouvez télécharger l'application Proscenic sur Google Play ou Apple App Store.

Connexion manuelle


1. Appuyer simultanément sur "⏻" et "🏠" pendant 5 secondes pour entrer dans la configuration du réseau.
2. Sélectionnez le routeur wifi avec lequel votre téléphone est connecté, et entrez le mot de passe correct.
3. Allez dans Paramètres et dans la liste WLAN pour vous connecter au hotspot "Proscenic - Q8 Max-xxxx".
4. Retournez à l'application Proscenic et terminez la connexion wifi.

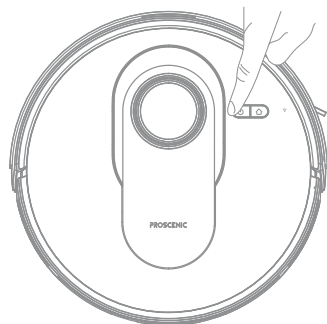
FUNCTIONNEMENT DU PRODUIT

Allumer/éteindre

- Appuyez longuement sur le bouton  pour allumer ou éteindre.
- Lorsque la machine fonctionne, appuyez sur n'importe quelle touche pour faire une pause. Appuyez à nouveau sur la touche  pour continuer à travailler.
- * La machine ne peut pas être arrêtée pendant le chargement.

Commence a nettoyer

- Appuyez brièvement sur le bouton  de la balayeuse pour commencer le nettoyage. Après avoir commencé le nettoyage, la machine planifiera dynamiquement l'itinéraire de nettoyage en fonction de la carte numérisée. Dans la zone de nettoyage sélectionnée, la machine commencera le long du mur puis nettoiera en zigzag, avec une couverture ordonnée et efficace.




Lors de sa première utilisation ou lors d'un changement de scène de nettoyage, le robot effectuera d'abord une fonction de cartographie rapide pour s'assurer qu'il peut comprendre plus rapidement l'environnement de nettoyage. Ce processus dure environ 10 minutes, puis la tâche de nettoyage commencera.

Dormir/Réveiller

- La machine passe automatiquement en mode veille après avoir été en mode veille pendant plus de dix minutes. En état de veille, le voyant d'alimentation s'éteint et vous pouvez réveiller la machine en appuyant sur n'importe quelle touche à ce moment.

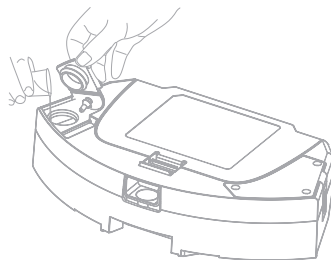
Retour en charge

- En mode pause et veille, appuyez sur le bouton  pour remettre la machine sur la base de chargement pour la recharger.
- Si la batterie est faible pendant le fonctionnement, la machine reviendra en charge et poursuivra sa tâche une fois la charge terminée.

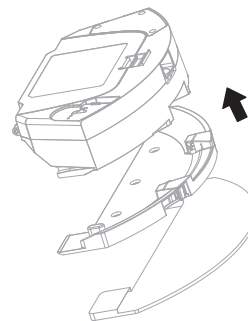
FUNCTIONNEMENT DU PRODUIT

Système de nettoyage

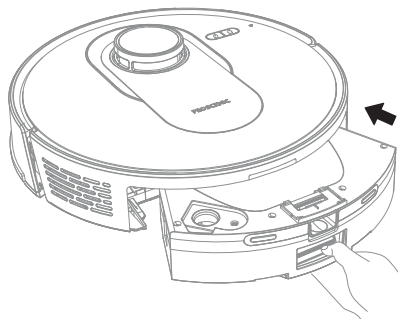
1. Ajoutez de l'eau



2. Installez la planche à vadrouille et le chiffon de vadrouille



3. Remettez le bac à poussière & le réservoir d'eau dans l'unité principale

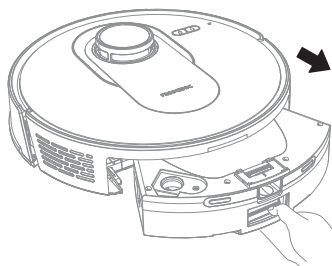


- Veuillez vous assurer qu'il n'y a pas de tapis sur le sol lorsque vous utilisez la fonction de nettoyage. Vous pouvez définir une partie du tapis comme zone restreinte après le premier nettoyage dans l'application, afin de pouvoir utiliser normalement la fonction de nettoyage sans ranger le tapis.
- Après avoir nettoyé le sol, veuillez nettoyer le réservoir d'eau, la planche à vadrouille et la vadrouille à temps pour vous assurer qu'il n'y a pas d'odeur.

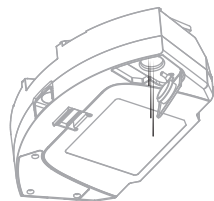
MAINTENANCE DE ROUTINE

Nettoyer le bac à poussière & le réservoir d'eau

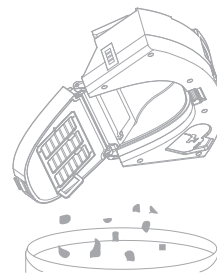
1. Appuyez sur le bouton pour retirer le bac à poussière & le réservoir d'eau.



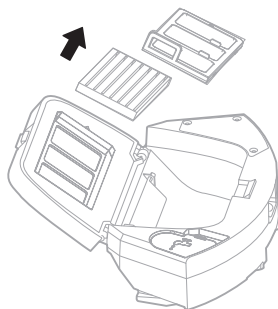
2. Videz l'eau du réservoir d'eau.



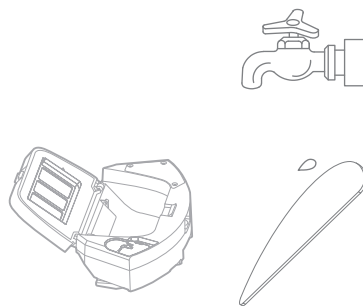
3. Ouvrez la poubelle et jetez les déchets.



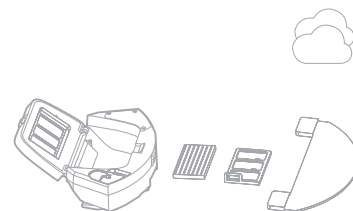
4. Retirez HEPA et le filtre primaire et nettoyez la poussière sur le filtre.



5. Nettoyer le bac à poussière et le filtre primaire.



6. Séchez.

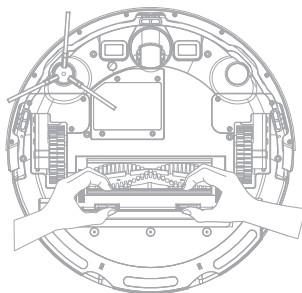


! Lors de l'installation du filtre primaire et du HEPA, assurez-vous que toutes les pièces sont complètement sèches.

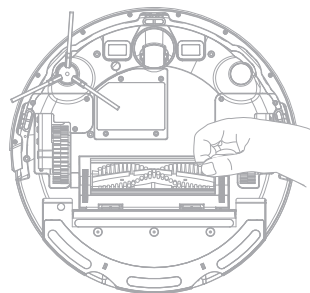
MAINTENANCE DE ROUTINE

Nettoyez la brosse à rouleau

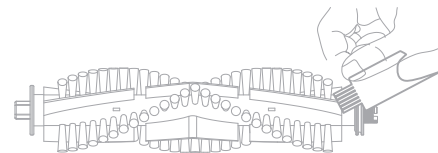
1. Ouvrez le couvercle de la brosse rotative



2. Retirez la brosse à rouleau

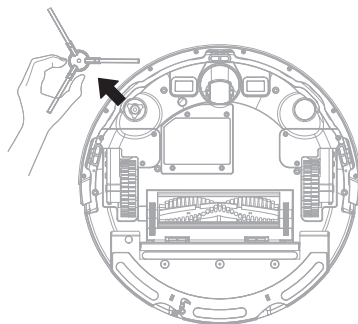


3. Nettoyez la brosse rotative avec une brosse de nettoyage

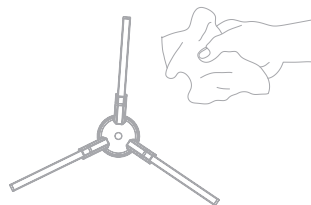


Nettoyez la brosse latérale

1. Retirez la brosse latérale.

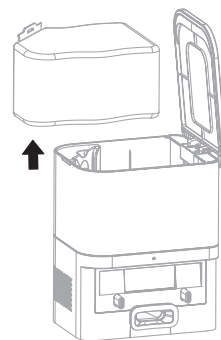


2. Nettoyez la brosse latérale.



Entretien du dépoussiéreur

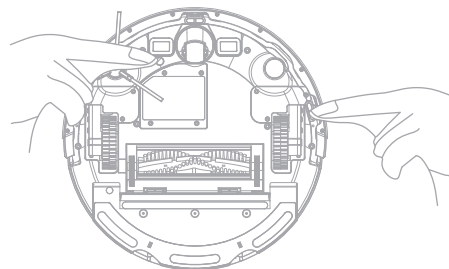
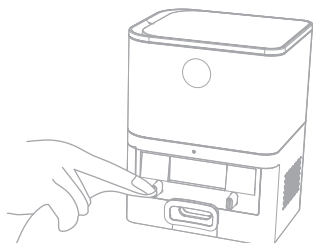
Retirez le sac à poussière verticalement et remplacez-le



MAINTENANCE DE ROUTINE

Nettoyez le capteur

! Nettoyez la pièce du pôle de charge.



Fréquence de nettoyage

Pour que votre robot continue de fonctionner à des performances optimales, effectuez les tâches de maintenance et remplacez les pièces à la fréquence suivante :

Partie	Fréquence d'entretien
Dépoussiéreur	Une fois par semaine
Capteurs	Une fois par mois

VOYANT LUMINEUX DE L'HÔTE / INDICATEUR WI-FI

Voyant lumineux de l'hôte

État de l'appareil	État du voyant du bouton de nettoyage	État du voyant du bouton de charge
état de démarrage	Respiration de lumière bleue	/
Mise à jour du firmware	Respiration de lumière bleue	/
Recharge	Respiration de lumière bleue	/
état de sommeil	Lumière bleue toujours allumée	/
au travail	Lumière bleue toujours allumée	/
Recharge terminée	Lumière bleue toujours allumée	/
Connexion réussie au réseau	Lumière bleue toujours allumée	/
Connexion au réseau	Lumière bleue clignotante	/
Erreur	Lumière rouge clignotante	/
Batterie faible/recharge	/	Lumière orange toujours allumée

Indicateur Wi-Fi

État	Allumée
En attente de connexion	flash lent
connectant	flash rapide
Wi-Fi est connecté	toujours allumé
Wi-Fi déconnecté	Éteinte

Indicateur Dépoussiéreur

État	Allumée
état de démarrage	Voyant bleu toujours allumé
connectant	Lampe torche bleue
Recharge	Voyant bleu clignote
Erreur	Voyant rouge clignote

DÉPANNAGE

Question	Causes possibles et solutions
Incapable de commencer	Si la batterie est faible, veuillez placer le robot sur un dépoussiéreur pour le charger complètement avant utilisation. Il. Si la température de la batterie est trop basse ou trop élevée, veuillez l'utiliser entre 0 et 40 °C.
Impossible de charger	"Si la base n'est pas sous tension, veuillez vérifier que le voyant lumineux est allumé ; sinon, veuillez vérifier que les deux extrémités du cordon d'alimentation ont été correctement insérées. Mauvais contact, veuillez nettoyer les plaques de chargement de la Dépoussiéreur et du robot."
Charge lente	"Dans un environnement à haute ou basse température, le robot réduit automatiquement la vitesse de charge afin de prolonger la durée de vie de la batterie. La zone de contact de charge peut être sale, veuillez nettoyer la zone avec un chiffon sec."
Impossible de recharger	"Il y a trop d'obstacles à proximité de la station de recharge, veuillez placer la station de recharge dans un espace ouvert ; Le robot est trop éloigné de la station de recharge, veuillez placer le robot près de la station de recharge et réessayer."
Comportement anormal	Veuillez confirmer si le capteur du robot est anormal. S'il n'y a aucune anomalie, veuillez éteindre le robot et le rallumer.
Bruits anormaux lors du nettoyage	La brosse roulante, la brosse latérale ou la roue principale peuvent être empêtrées dans des obstacles, veuillez vous arrêter et les nettoyer. La roue universelle peut être enroulée, il est recommandé de retirer la roue universelle pour la nettoyer.
Diminution de la capacité de nettoyage ou chute de cendres	"Le bac à poussière est plein ou le filtre est obstrué, veuillez nettoyer le bac à poussière et le filtre. La brosse roulante est enveloppée d'obstacles, veuillez nettoyer la brosse roulante."
Impossible de se connecter au WiFi	"Si la fonction Wi-Fi n'est pas activée, veuillez réinitialiser le Wi-Fi et réessayer ; Le signal Wi-Fi n'est pas bon, veuillez vous assurer que le robot se trouve dans une bonne zone de couverture du signal Wi-Fi ; Si la connexion Wi-Fi est anormale, réinitialisez le Wi-Fi et téléchargez la dernière version du téléphone mobile. Essayez de vous connecter à nouveau ; Le Wi-Fi a soudainement perdu la connexion, vous soupçonnez un dysfonctionnement du routeur domestique, vous pouvez contacter le service client pour obtenir de l'aide ; le robot ne prend pas en charge le réseau 5G. Veuillez le passer au Wi-Fi 2,4G."
Le robot est coincé au travail	"Le robot peut être emmêlé ou coincé par les fils éparpillés et les rideaux tombants au sol. Il est recommandé de ranger la pièce avant le nettoyage ; Le robot peut être coincé par des meubles d'une hauteur similaire, il peut soit augmenter la hauteur des meubles en ajoutant un coussin, soit bloquer la zone du meuble pour le nettoyage."

PARAMÈTRE

Aspirateur robot

Cellule de batterie	Batterie lithium-ion 14,4V/3200mAh
Entrée de puissance	19V/0,6A
Temps de charge	Environ 4-5H
Bande de fréquence	2412MHz-2472MHz
Puissance radioélectrique maximale	18,5dBm

Dépoussiéreur

Entrée de puissance	100V-130V ~ Or 220-240V~
Sortie de puissance	19V/0,7A

Bluetooth

Standard	BLE 5.0 à 1Mbps
Bande de fréquence	de 2400 MHz à 2483,5 MHz

AVVERTENZE DI SICUREZZA

ISTRUZIONI DI SICUREZZA IMPORTANTI SOLO PER IL FUNZIONAMENTO DOMESTICO

Devono essere sempre osservate precauzioni di base quando si utilizzano apparecchiature elettriche, comprese le seguenti:

ATTENZIONE: LEGGERE TUTTO IL MANUALE E TUTTE LE ISTRUZIONI DI SICUREZZA.

La mancata osservanza delle avvertenze e delle istruzioni potrebbe essere colpito dall'elettricità, incendi o lesioni gravi. Si prega di leggere tutte le istruzioni prima di utilizzare questo robot.

ATTENZIONE:

- Questo robot è destinato ai bambini a partire dagli 8 anni di età. Le persone con ridotte capacità fisiche, sensoriali o intellettuali, o quelle che non hanno esperienza e conoscenza, devono essere supervisionate o istruite sull'uso sicuro del robot; devono inoltre essere consapevoli dei possibili pericoli. I bambini non devono giocare con questo robot. La pulizia e la manutenzione da parte dell'utente non devono essere eseguite da bambini senza supervisione.
- Il robot deve essere utilizzato secondo le istruzioni di questo manuale. L'azienda non è responsabile per eventuali danni o lesioni causati da un uso improprio.

Per ridurre il rischio di lesioni o danni, osservare le seguenti precauzioni di sicurezza durante l'installazione, l'uso e la manutenzione del robot:

- Si prega di leggere tutte le istruzioni relative alla sicurezza e al funzionamento prima di utilizzare il robot.
- Conservare il manuale d'uso e di sicurezza per futuri utilizzi. In caso di smarrimento accidentale del manuale, è possibile visitare il sito web ufficiale per scaricare la versione elettronica. (<https://www.proscenic.com>).

- Fare attenzione a tutte le avvertenze riportate sul robot, sulla batteria, sulla Collettore di polveri e sul manuale d'uso.
- Seguire tutte le istruzioni d'uso e di funzionamento.



I simboli sul prodotto o sulla confezione indicano:

Non smaltire gli apparecchi elettrici come rifiuti indifferenziati e di non utilizzare un raccoglitore di rifiuti separato. Contattare l'autorità locale per informazioni sul metodo di smaltimento appropriato. Se gli apparecchi elettrici vengono gettati nelle discariche, le sostanze pericolose possono filtrare nelle acque sotterranee, entrare nella catena alimentare e danneggiare la salute delle persone. Si raccomanda di contattare l'agenzia locale o regionale per la gestione dei rifiuti e per ulteriori informazioni sui programmi di riciclo e riutilizzo.

RESTRIZIONI

- Il robot è destinato esclusivamente all'uso interno. Non utilizzare il robot all'aperto, in ambienti commerciali o industriali.
- Prima di utilizzare il robot, rimuovere dal pavimento oggetti a rischio come indumenti, fogli di carta, corde o tende e cavi per l'alimentazione. Il robot potrebbe rimanere impigliato in un oggetto, in un tavolo o in uno scaffale se il cavo rimane bloccato.
- Questo robot non è un giocattolo. Non sedersi o stare in piedi su questo robot. I bambini e gli animali domestici devono essere supervisionati mentre il robot è in funzione.
- Conservare e utilizzare il robot a temperatura ambiente.
- Non utilizzare il robot per pulire oggetti che bruciano o fumano.
- Non utilizzare il robot per pulire candeggina, vernice o altri prodotti chimici o qualsiasi prodotto bagnato.

- Se l'area di pulizia comprende un balcone, è necessario installare una barriera fisica per impedire al robot di accedere al balcone e garantire che funzioni in sicurezza.
- Il robot non è adatto all'uso da parte di persone (compresi i bambini) con ridotte capacità fisiche, sensoriali o mentali o con mancanza di esperienza e conoscenza, a meno che non siano sotto la supervisione o la guida di una persona responsabile del loro aspetto e della loro sicurezza d'uso.
- **I bambini devono essere sorvegliati per assicurarsi che non giochino con il robot. Inoltre, la pulizia e la manutenzione non devono essere eseguite senza la supervisione di un adulto.**
- Non posizionare nulla sul robot.
- Il robot si muoverà da solo. Si prega di fare attenzione quando si cammina nell'area di funzionamento per evitare di calpestarlo.
- Non utilizzare il robot in un'area in cui è esposta una presa di corrente a terra.

BATTERIA E RICARICA

- Utilizzare solo batterie ricaricabili con specifiche corrette dalla nostra azienda.
- Per la ricarica utilizzare una Collettore di polveri standard corrispondente. Questo prodotto non deve essere utilizzato con alcun tipo di convertitore di potenza; l'uso di altri convertitori di potenza invalida immediatamente la garanzia.
- Non utilizzare una Collettore di polveri con un cavo per l'alimentazione o una spina danneggiati. Se il cavo di alimentazione o la spina sono danneggiati, devono essere riparati dal produttore o da una parte terza con qualifiche simili.
- Assicurarsi di caricare e rimuovere le batterie del robot e degli accessori prima di riporlo o trasportarlo per un lungo periodo di tempo.
- Il tipo di batteria del telecomando è una batteria alcalina a secco AAA. (Alcuni modelli non includono il telecomando)
- Per sostituire le batterie del telecomando, aprire il coperchio delle batterie sul

retro del telecomando, rimuovere il coperchio delle batterie e sostituire le batterie.

- Caricare il robot solo in ambienti chiusi.
- La Collettore di polveri del robot potrebbe essere protetta da un limitatore di tensione per evitare sovratensioni.
- Non utilizzare la Collettore di polveri con le mani bagnate.
- Prima di pulire o di effettuare la manutenzione del robot, è necessario rimuovere la spina dalla presa.
- Assicurarsi che la tensione nominale della Collettore di polveri inclusa corrisponda alla tensione della presa standard.
- Le batterie usate devono essere riposte in un sacchetto di plastica sigillato e smaltite in modo sicuro in conformità con le normative ambientali locali.
- Prima di ogni utilizzo, controllare la batteria per segni di danni o perdite. Non caricare batteria danneggiati o con perdite.
- Se la batteria perde, contattare il servizio clienti.
- La batteria deve essere rimossa dal robot prima dello smaltimento.
- Non schiacciare o smontare la batteria. Non riscaldare la batteria né posizionarlo vicino a di fonti di calore.
- Non incenerire la batteria. Non mettere in cortocircuito il pacco batteria.
- Non immergere la batteria in alcun liquido.
- Non schiacciare o smontare il robot.

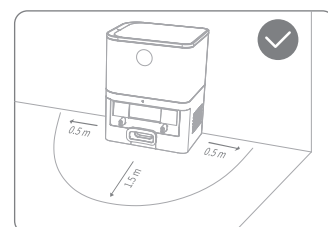
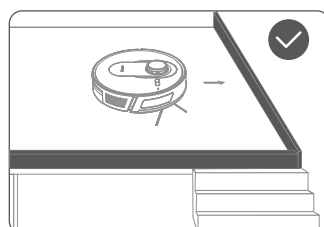
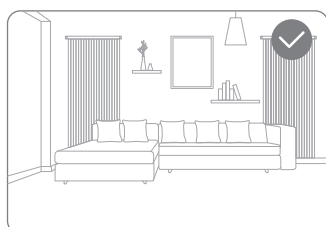
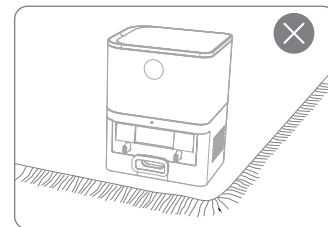
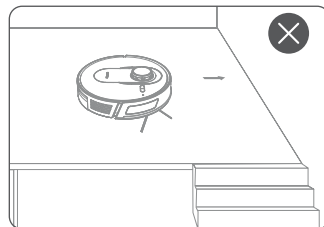
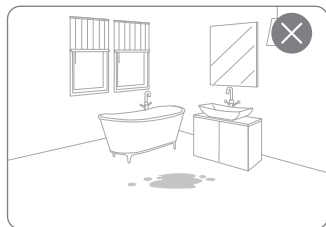
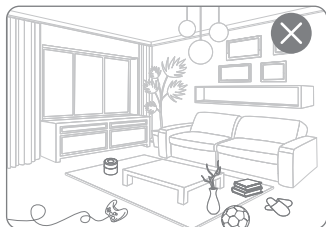
ATTENZIONE

- Il sensore laser in questo prodotto è conforme allo Standard IEC 60825-1:2014 per i prodotti laser di Classe 1. Si prega di evitare il contatto diretto con gli occhi durante l'uso.
- Il dispositivo supporta la funzionalità Bluetooth, che assiste nella connessione Wi-Fi.

AVVERTENZE DI SICUREZZA

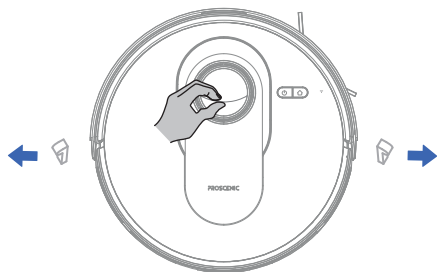
⚠ ATTENZIONE:

1. Prima di iniziare, pulire i fili e i detriti sparsi sul terreno e rimuovere gli oggetti facili da versare, fragili, di valore e pericolosi, per evitare di avvolgere, bloccare, trascinare o abbattere i danni alle persone o alle cose causati dall'aspirapolvere robot.
2. Evitare di utilizzare questo prodotto in aree con acqua stagnante, in quanto ciò potrebbe danneggiare la ventola e compromettere le prestazioni della macchina.
3. È severamente vietato utilizzare questo prodotto in luoghi elevati senza parapetti.
4. La base di ricarica non deve essere collocata su un tappeto. Posizionare la base di ricarica su una superficie dura come il pavimento o il marmo.

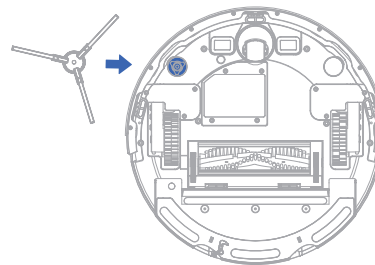


PRE-UTILIZZO

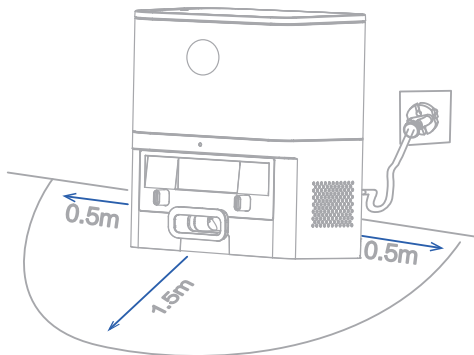
1. Rimozione di strisce e pellicole protettive.



2. Installazione delle spazzole laterali.

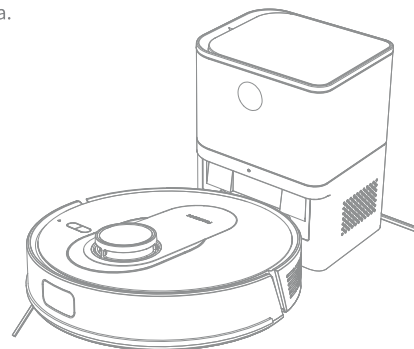


3. Posizionamento della base di ricarica.



4. prima carica.

Caricare per 4 ore prima del primo utilizzo.

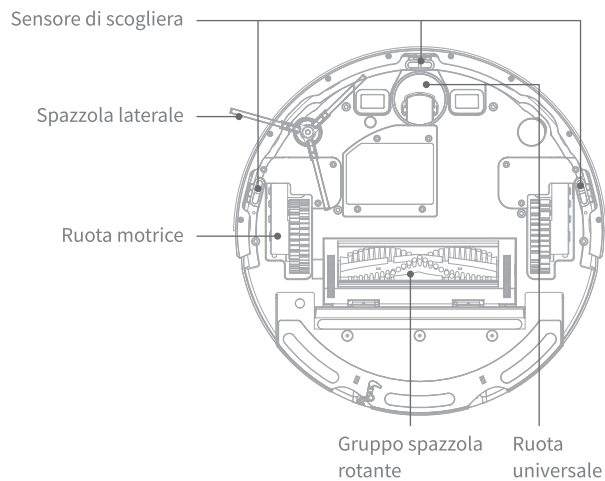
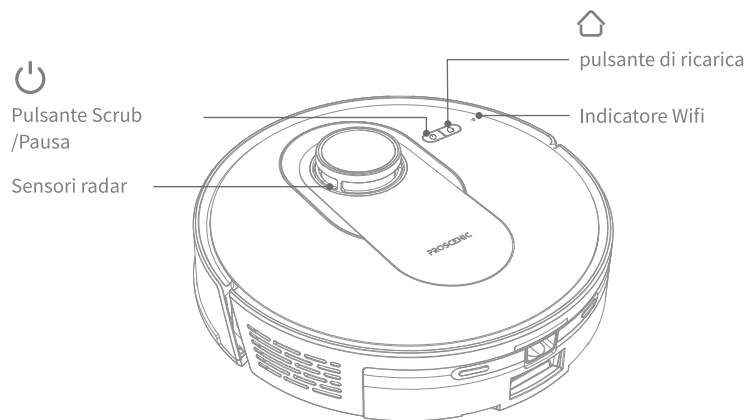


* La base di ricarica deve essere collocata contro una parete, lasciando un metro e mezzo di spazio a sinistra e a destra e un metro e mezzo di spazio davanti.

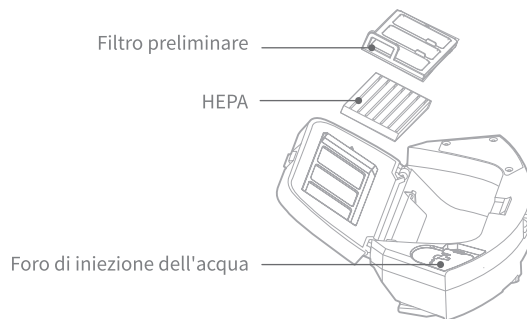
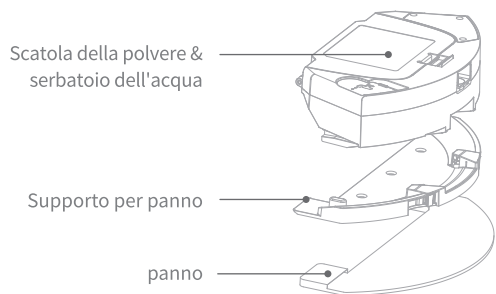
* Appuyez longuement sur le bouton  pour allumer l'appareil, placez l'aspirateur robotisé sur le collecteur de poussière pour commencer à le charger.

DESCRIZIONE DEL PRODOTTO

LE ROBOT



2-IN-1 SCATOLA DELLA POLVERE & SERBATOIO DELL'ACQUA



CONNESSIONE ALLE APP

Per sfruttare al meglio le funzioni disponibili, si consiglia di controllare il robot tramite l'App Proscenic.

Download e installazione dell'app



1. Scarica l'APP dall'APP Store (dispositivi iOS) o da Google Play (dispositivi Android).
2. Apri l'app e crea un account utente.
3. Tocca l'icona "+" per aggiungere "Q8 Max" al tuo account.
4. Segui le istruzioni nell'app per configurare la connessione Wi-Fi.

Prima di iniziare, accertarsi che:



1. il telefono sia collegato a una rete Wi-Fi.
2. Il segnale wireless a banda 2,4 GHz sia abilitato sul router.
3. È possibile scaricare l'applicazione Proscenic su Google Play o Apple App Store.

Connexion manuelle

1. Tenere premuti contemporaneamente i pulsanti di "⏻" e di "🏠" per 5 secondi per accedere alla modalità di configurazione della rete.
2. Selezionare lo stesso router e lo stesso wifi, quindi inserire la password corretta.
3. Andare in Impostazioni e nell'elenco WLAN, trovare l'hotspot "Proscenic - Q8 Max-xxxx" e collegarsi.
4. Tornare all'applicazione Proscenic e completare l'accoppiamento di rete.

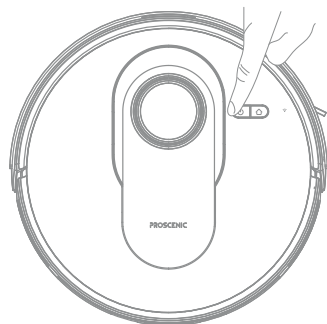
OPERAZIONE PRODOTTO

Accensione/spengimento

- Premere a lungo il pulsante  per accendere o spegnere il dispositivo.
- Quando la macchina è in funzione, premere un tasto qualsiasi per mettere in pausa. Premere nuovamente il tasto  per continuare a lavorare.
- * L'apparecchio non può essere spento durante la ricarica.

Iniziare la pulizia

- Premere brevemente il pulsante di accensione della spazzatrice per avviare la pulizia. Una volta avviata la pulizia, la macchina pianifica dinamicamente il percorso di pulizia in base alla mappa scansionata. Nell'area di pulizia selezionata, la macchina inizierà lungo le pareti e pulirà a zig-zag, in modo organizzato ed efficiente.




Quando lo si utilizza per la prima volta o si cambia la scena di pulizia, il robot esegue innanzitutto una rapida funzione di costruzione della mappa per assicurarsi di comprendere più rapidamente l'ambiente di pulizia. Questo processo dura circa 10 minuti e poi inizia l'attività di pulizia.

Sonno / Risveglio

- La macchina entra automaticamente nello stato di ibernazione dopo più di dieci minuti di standby. Nello stato di ibernazione, la spia di alimentazione è spenta, quindi premere un tasto qualsiasi per risvegliare la macchina.

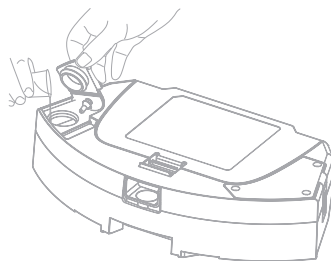
Ricarica

- In pausa e in standby, premendo il pulsante  l'apparecchio viene riportato alla base di ricarica per essere ricaricato.
- Se la batteria si scarica durante il funzionamento, la macchina torna a ricaricarsi e continua l'attività al termine della ricarica.

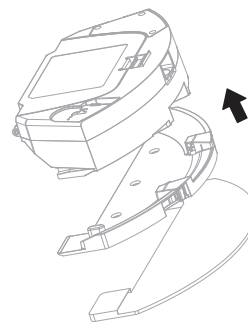
OPERAZIONE PRODOTTO

Sistema di pulizia

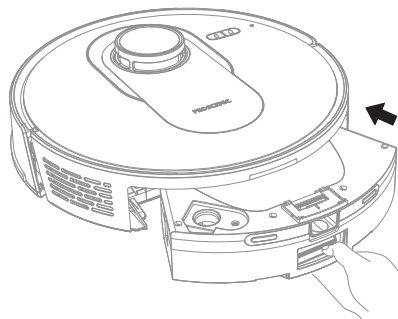
1. Aggiungere acqua.



2. Installazione di tavole e panni per panni.



3. Rimettere il contenitore della polvere & il serbatoio dell'acqua nell'unità principale.

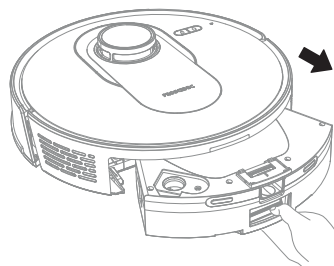


- Assicurarsi che il pavimento sia libero da tappeti quando si utilizza la funzione di pulizia. È possibile impostare la parte di pavimento ricoperta da moquette come zona di esclusione dopo la prima passata nell'app, in modo da poter utilizzare normalmente la funzione di pulizia senza dover mettere via il tappeto.
- Al termine della pulizia, pulire il serbatoio dell'acqua, l'asse di lavaggio e lavare il panno in tempo utile per garantire l'assenza di odori.

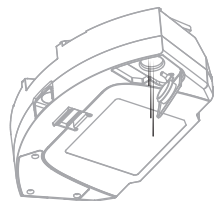
MANUTENZIONE REGOLARE

Pulire la pattumiera & il serbatoio dell'acqua

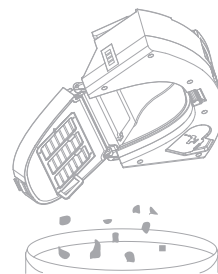
1. Premere il pulsante per rimuovere il contenitore della polvere & il serbatoio dell'acqua.



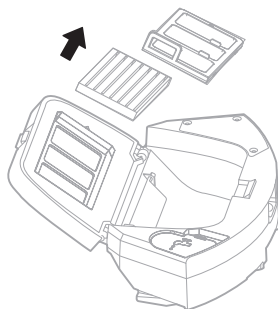
2. Svuotare il serbatoio dell'acqua.



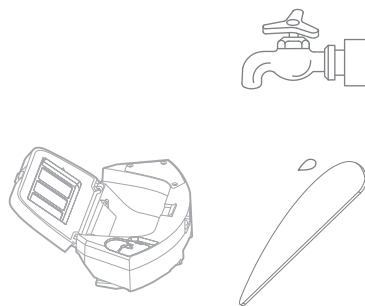
3. Aprire la pattumiera e gettare i rifiuti.



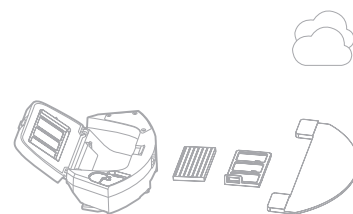
4. Estrarre i filtri HEPA e primario e pulire la polvere dai filtri.



5. Pulizia della scatola della polvere e dei filtri primari.



6. Asciugatura naturale.

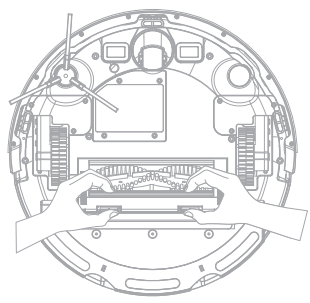


! Quando si installa il filtro primario e HEPA, accertarsi che tutte le parti siano completamente asciutte.

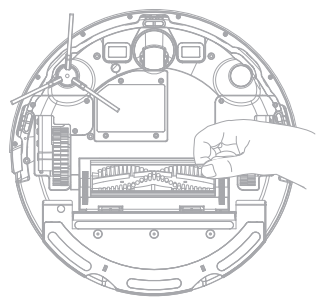
MANUTENZIONE REGOLARE

Pulire la spazzola

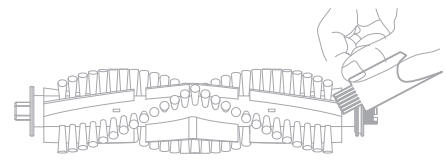
1. Aprire il coperchio della spazzola



2. Rimuovere la spazzola del rullo

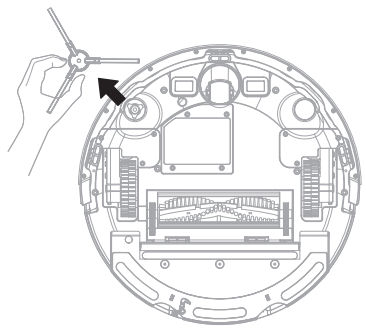


3. Pulire le spazzole dei rulli con una spazzola di pulizia

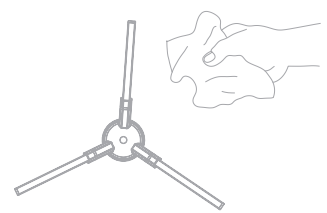


Pulizia delle spazzole laterali

1. Rimuovere la spazzola laterale

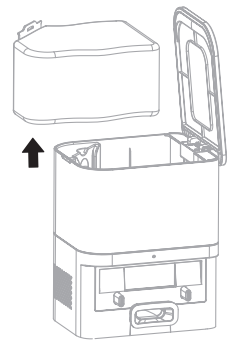


2. Pulizia delle spazzole laterali



Manutenzione del collettore di polveri

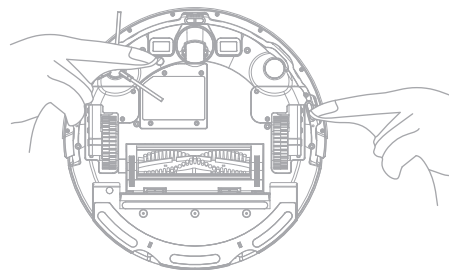
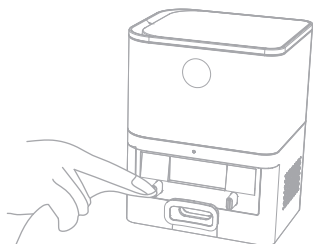
Rimuovere il sacchetto della polvere in verticale e sostituirlo con uno nuovo.



MANUTENZIONE REGOLARE

Pulizia dei sensori

- ❗ Pulire le piastre di ricarica.



Frequenza di pulizia

Per mantenere le prestazioni ottimali del robot, eseguire le operazioni di manutenzione e sostituire le parti con le seguenti frequenze:

Parte	Frequenza di manutenzione
Collettore di polveri	una volta alla settimana
Sensori (plurale)	una volta al mese

INDICATORE LUMINOSO DELL'HOST / INDICATORE WI-FI

Indicatore luminoso dell'host

stato della macchina	Stato della luce del pulsante di pulizia	Stato della luce del pulsante di ricarica
Accensione	Respirazione a luce blu	/
Aggiornamento del firmware	Respirazione a luce blu	/
Ricarica	Respirazione a luce blu	/
stato di sonno	Luce blu sempre accesa	/
al lavoro	Luce blu sempre accesa	/
Carica completata	Luce blu sempre accesa	/
Connessione di rete riuscita	Luce blu sempre accesa	/
Connessione a Internet	Luce blu lampeggiante	/
malfunzionamenti	Luce blu lampeggiante	/
Batteria scarica/ricarica in corso	/	Spia arancione sempre accesa

Indicatore Wi-Fi

stato	Visualizzazione della luce
In attesa di connessione	flash lento
collegamento	flash rapido
Il Wi-Fi è collegato	Luce sempre accesa
Wi-Fi disconnesso	spento

Indicatore Collettore di polveri

stato	Visualizzazione della luce
Accensione	Spia Blu accesa
collegamento	La luce blu lampeggia rapidamente
Ricarica	Lampeggio lento blu
malfunzionamenti	Luce rossa lampeggiante

RISOLUZIONE DEI PROBLEMI

Domanda	Possibili cause e soluzioni
Impossibile avviare	Se la batteria è scarica, prima di utilizzarla posizionare il robot su un collettore per la ricarica completa. Se la temperatura della batteria è troppo bassa o troppo alta, si consiglia di utilizzarla a 0-40°C.
Impossibile caricare	"Se la base non è accesa, verificare che la spia sia accesa; in caso contrario, controllare che il cavo di alimentazione sia stato inserito correttamente a entrambe le estremità. Se il contatto è scarso, pulire le piastre di ricarica della Collettore di polveri e del robot."
Carica lenta	"In caso di temperature elevate o basse, il robot riduce automaticamente la velocità di ricarica per prolungare la durata della batteria. L'area di contatto per la ricarica potrebbe essere sporca; pulirla con un panno asciutto."
Non è possibile ricaricare	"Ci sono troppi ostacoli vicino alla Collettore di polveri, si prega di posizionare la Collettore di polveri in un'area aperta; Il robot è troppo lontano dalla Collettore di polveri, si prega di posizionare il robot vicino alla Collettore di polveri e riprovare."
Comportamento anomalo	Verificare se il sensore del robot è anormale. Se non ci sono anomalie, spegnere e riaccendere il robot.
Suoni anomali durante la pulizia	La spazzola rotante, la spazzola laterale o la ruota principale potrebbero essere impigliate in ostacoli, si prega di fermarsi e pulirle. La ruota universale potrebbe avvolgersi; si consiglia di estrarre la ruota universale per pulirla.
Diminuzione della capacità di pulizia o diminuzione della cenere	"Il contenitore della polvere è pieno o il filtro è bloccato, pulire il contenitore della polvere e il filtro. La spazzola rotante è avvolta da ostacoli, si prega di pulirla."
Impossibile connettersi al WiFi	"Se la funzione Wi-Fi non è attivata, ripristinare il Wi-Fi e riprovare; Il segnale Wi-Fi non è buono, accertarsi che il robot si trovi in una buona area di copertura del segnale Wi-Fi; Se la connessione Wi-Fi è anomala, ripristinare il Wi-Fi e scaricare l'ultima versione del telefono cellulare. Riprovare a connettersi; Il Wi-Fi ha improvvisamente perso la connessione, si sospetta che il router di casa sia malfunzionante, è possibile contattare il servizio clienti per assistenza; il robot non supporta la rete 5G. Si prega di passare al Wi-Fi 2.4G."
Il robot è intrappolato al lavoro	"Il robot potrebbe rimanere impigliato o bloccato dai fili sparsi e dalle tende cadenti a terra. Si consiglia di riordinare la stanza prima della pulizia; Il robot può essere bloccato da mobili di altezza simile; si può alzare l'altezza dei mobili aggiungendo un cuscinetto o bloccare l'area dei mobili per la pulizia."

PARAMETRO

Aspirapolvere robotico

Cella batteria	Batteria agli ioni di litio da 14,4V/3200mAh
Ingresso di alimentazione	19V/0,6A
Tempo di ricarica	Informazioni su 4-5H
Banda di frequenza	2412MHz-2472MHz
Potenza massima in radiofrequenza	18,5dBm

Collettore di polveri

Ingresso di alimentazione	100V-130V ~ Or 220-240V~
Potenza in uscita	19V/0,7A

Bluetooth

Standard	BLE 5.0 a 1Mbps
Banda di frequenza	da 2400 MHz a 2483,5 MHz

ADVERTENCIA DE SEGURIDAD

INSTRUCCIONES RELEVANTES EN MATERIA DE SEGURIDAD EXCLUSIVAS PARA USO DOMÉSTICO

Se deben tomar en todo momento ciertas precauciones básicas al utilizar cualquier aparato eléctrico, tales como las siguientes:

ADVERTENCIA: LEA TODAS LAS INSTRUCCIONES DE SEGURIDAD Y EL MANUAL.

De no prestar atención a las instrucciones y advertencias, podrían producirse choque eléctrico, incendios y lesiones graves. Lea todas las instrucciones antes de utilizar el robot.

ADVERTENCIA:

- El robot está diseñado para personas mayores de 8 años. En caso de que personas con capacidades intelectuales, sensoriales o físicas reducidas, o aquellas que carezcan de la debida experiencia y conocimiento utilicen el robot, se les debe brindar supervisión mientras lo hagan o bien proporcionarles instrucción de cómo hacerlo de manera segura; asimismo, estas personas deben estar al tanto de los peligros envueltos. No se debe permitir a los niños que jueguen con el robot. Ningún niño debe realizar tareas de limpieza o mantenimiento sin la debida supervisión.
- Se debe utilizar el robot de acuerdo con las instrucciones provistas en este manual. La empresa no se responsabiliza por ningún posible daño que pudiese producirse debido al uso inapropiado.

A fin de reducir los riesgos de lesiones y daños, sírvase tomar las siguientes precauciones de seguridad al instalar, utilizar y realizar mantenimiento del dispositivo:

- Lea todas las instrucciones a la seguridad y el uso antes de utilizar el robot.
- Conserve el manual de usuario y de seguridad a mano para futuras consultas. Si, por accidente, extravía el manual, puede visitar el sitio web oficial para descargar la versión electrónica. (<https://www.proscenic.com>).

- Preste atención a todas las advertencias del robot, la batería, la Colector de polvo y el manual de usuario.
- Siga todas las instrucciones de uso y operación.



La señal del embalaje o del producto indica que:

No deseche aparatos eléctricos como residuos comunes; antes bien, utilice un recolector independiente de residuos. Para obtener más información acerca del método apropiado de desecho, póngase en contacto con las autoridades locales. Si se desechan aparatos eléctricos en basurales, ciertas sustancias peligrosas podrían filtrarse hacia el agua subterránea, ingresando así a la cadena alimenticia y perjudicando la salud pública. Si desea obtener más información acerca de los programas de reciclaje y reutilización en su zona, comuníquese con el departamento local o regional de gestión de residuos.

RESTRICCIONES

- Este robot se usa únicamente en interiores. No lo utilice al aire libre ni en un entorno comercial ni industrial.
- Antes de utilizar el robot, retire artículos frágiles tales como vestimenta, hojas sueltas de papel, sogas o cortinas, así como cables de corriente. El robot podría atorarse contra un objeto, mesa o estantería si se tranca con un cable.
- Este robot no es un juguete. No se siente ni se pare sobre el robot. Supervise a niños y mascotas mientras el robot esté en funcionamiento.
- Guarde y utilice el robot a temperatura ambiente.
- No utilice el robot para limpiar nada que se esté quemando o que esté echando humo.
- No utilice el robot para limpiar lejía, pintura u otros químicos, ni cualquier cosa mojada.

- Si la habitación de limpieza incluye un balcón, se debe configurar una barrera física a fin de evitar que el robot acceda al balcón, asegurándose así de que funcione de manera segura.
- Este aparato no pueden utilizarlo personas (los niños incluidos) con facultades físicas, sensoriales o intelectuales disminuidas, o que carezcan de la experiencia y los conocimientos debidos, siempre que sea bajo supervisión y si han recibido instrucciones para utilizar el aparato por parte de una persona responsable de su seguridad.
- **Se debe supervisar a los niños para asegurarse de que no jueguen con el robot. Lo que es más, no deberán realizar ninguna tarea de limpieza ni mantenimiento sin la debida supervisión de un adulto.**
- No coloque nada sobre el robot.
- Tenga en cuenta que el robot se moverá por sí solo. Cuando camine por el área en que el mismo esté funcionando, hágalo con cuidado, evitando pisarlo.
- No opere el robot en un área en que haya algún tomacorriente expuesto.

BATERÍA Y CARGA

- Utilice únicamente baterías recargables con especificaciones aprobadas por nuestra empresa.
- Utilice la Colector de polvo complementaria estándar para la carga. No utilice este producto con ninguna clase de adaptador eléctrico; el uso de cualquier adaptador eléctrico inmediatamente anulará la garantía.
- No utilice la Colector de polvo con un cable de corriente o clavija dañados. Si el cable de corriente o la clavija estuvieran dañados, deberá solicitar su reparación al fabricante o a un tercero con similares cualificaciones.
- Asegúrese de cargar y retirar la batería del robot y sus accesorios cuando piense guardarlo por un período prolongado o transportarlo.
- Las pilas del control remoto son alcalinas AAA. (Algunos modelos no incluyen el control remoto)
- Para reemplazar las baterías del control remoto, deslice la tapa de las pilas

sobre la parte posterior del control remoto hasta que abra, retire la tapa y reemplace las pilas.

- Cargue el robot solamente en interiores.
- La Colector de polvo de su robot podría contar con protección para sobrecargas para evitar picos de corriente.
- No opere la Colector de polvo con las manos mojadas.
- Antes de limpiar o realizar mantenimiento al robot, desenchufe del tomacorriente.
- Asegúrese de que el voltaje nominal indicado en la carcasa del Colector de polvo coincida con el del tomacorriente.
- Coloque la batería usada en una bolsa plástica sellada y deseche de forma segura, en cumplimiento de las reglamentaciones ambientales locales.
- Antes de usar cada vez, inspeccione la batería para ver si tiene indicio de daños o fugas. No cargue la batería si está dañada o presenta fugas.
- Si la batería presenta fugas, comuníquese con el servicio de atención al cliente.
- Antes de deshacerse de la batería, retírela del robot.
- No mueva ni desarme la batería. No aplique calor sobre la batería ni la coloque cerca de ninguna fuente de calor.
- No incinere la batería. No genere cortocircuitos en la batería.
- No sumerja la batería en ningún líquido.
- No mueva ni desarme el robot.

ATENCIÓN

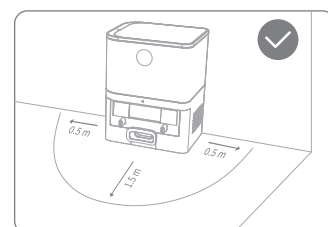
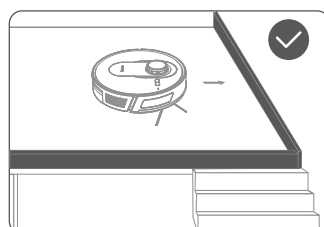
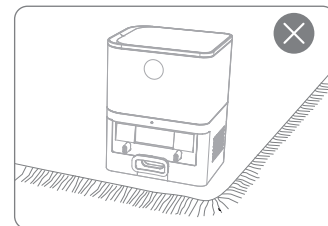
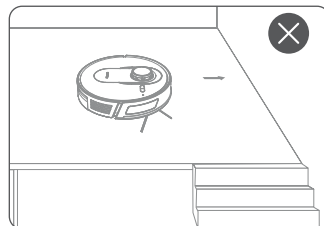
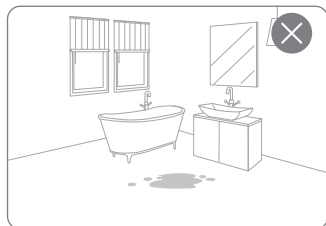
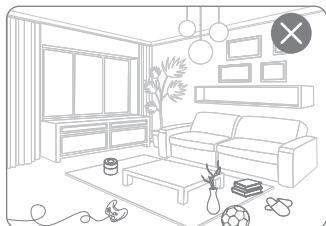
- El sensor láser de este producto cumple con la norma IEC 60825-1:2014 para productos láser de Clase 1. Por favor, evite el contacto directo con los ojos durante su uso.
- El dispositivo soporta la funcionalidad Bluetooth, que asiste con la conexión Wi-Fi.

ADVERTENCIA DE SEGURIDAD



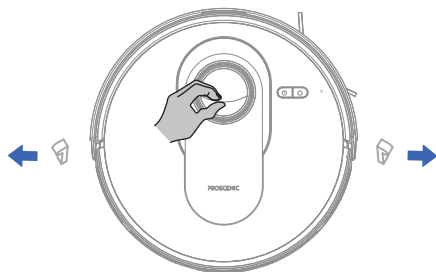
ATTENZIONE:

1. Por favor, limpie el cable y los residuos esparcidos por el suelo antes de arrancar, y retire los objetos fáciles de verter, frágiles, valiosos y peligrosos, para evitar que el aspirador robótico se enrolle, se atasque, se arrastre o derribe y cause daños personales o materiales.
2. Por favor, evite utilizar este producto en la zona de vadeo, de lo contrario dañará el ventilador y afectará al rendimiento de la máquina.
3. Queda terminantemente prohibido utilizar este producto en lugares altos sin barandilla.
4. La Colector de polvo no debe colocarse sobre una alfombra. Coloque la Colector de polvo sobre una superficie dura, como el suelo o el mármol.

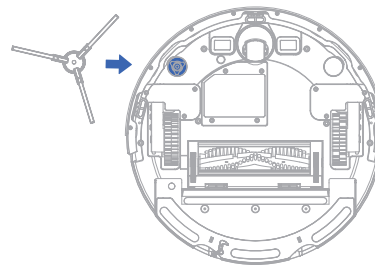


ANTES DE USAR

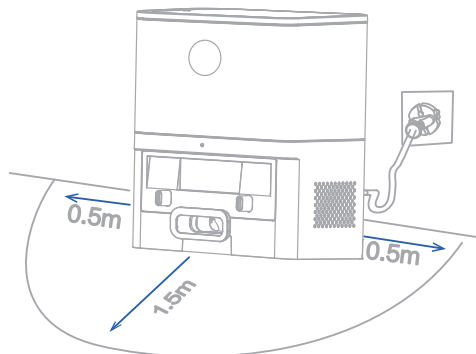
1. Retire las tiras protectoras y la película.



2. Instalar el cepillo lateral.

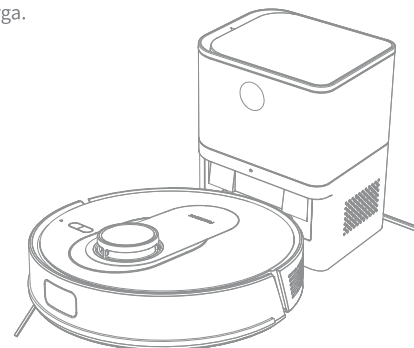


3. Coloque la Colector de polvo.




4. primera carga.

Cargue durante 4 horas antes del primer uso.

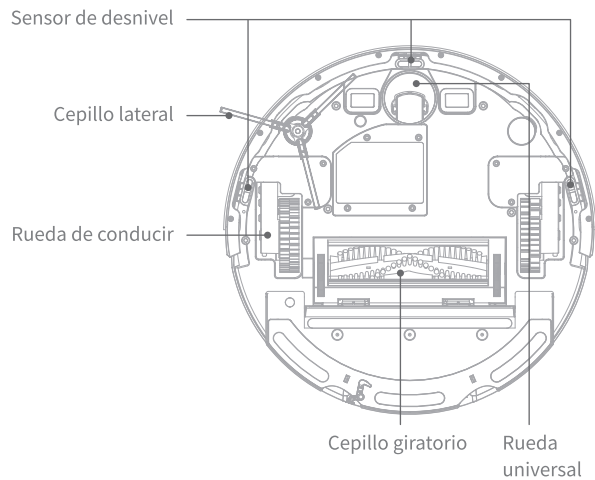
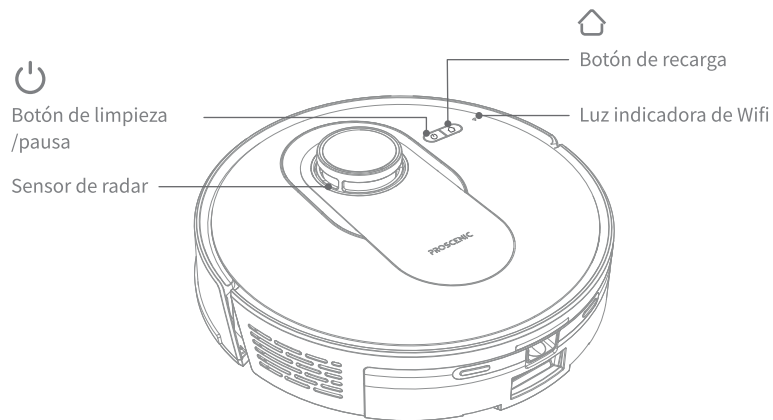


* La Colector de polvo debe colocarse contra una pared, dejando 0,5 m de espacio a izquierda y derecha, y 1,5 m de espacio delante.

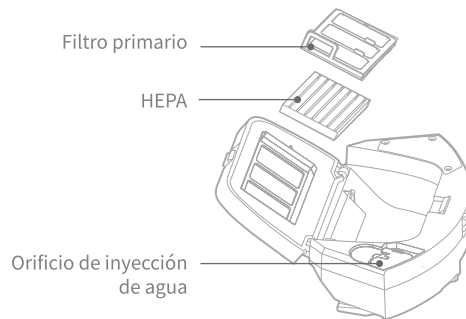
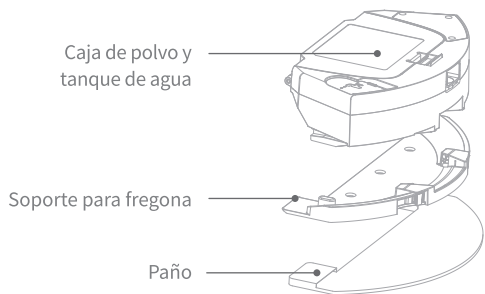
* Mantenga pulsado el botón  para encender, coloque el robot aspirador en el colector de polvo para iniciar la carga.

DESCRIPCIÓN DEL PRODUCTO

EL ROBOT



2-IN-1 CAJA DE POLVO Y TANQUE DE AGUA



CONEXIÓN DE LA APP

Para disfrutar de más funciones disponibles, se recomienda controlar su robot a través de la aplicación Proscenic.

Descarga e instalación de la APP





1. Descargue la APP de la APP Store (dispositivos iOS) o de Google Play (dispositivos Android).
2. Abra la app y cree una cuenta de usuario.
3. Toque el icono «+» para añadir «Q8 Max» a su cuenta.
4. Siga las instrucciones de la app para configurar la conexión Wi-Fi.

Antes de comenzar, asegúrese de que:



1. su teléfono móvil está conectado a una red Wi-Fi.
2. La señal inalámbrica de banda de 2,4 GHz está habilitada en su enrutador.
3. Puedes descargar la aplicación Proscenic en Google Play o Apple App Store.

Conexión manual


1. Mantenga presionados los botones de «» y «» al mismo tiempo durante 5s para entrar al modo de Configuración de Red.
2. Seleccione el enrutador wifi al que su teléfono esté conectado e ingrese la contraseña.
3. Diríjase a los ajustes, a la lista WLAN, y conecte al punto de acceso «Proscenic-Q8 Max-xxxx».
4. Vuelva a la app Proscenic y finalice la conexión wifi.

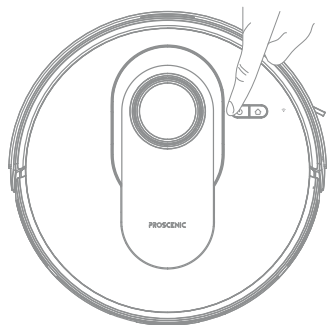
OPERACIÓN DEL PRODUCTO

encender/Cerrar

- Pulse prolongadamente el botón  para encender o apagar.
- Cuando la máquina esté funcionando, pulse cualquier tecla para hacer una pausa. Pulse de nuevo la tecla  para continuar trabajando.
- * La máquina no puede apagarse durante la carga.

Empezar a limpiar

- Pulse brevemente el botón  de la barredora para iniciar la limpieza. Una vez iniciada la limpieza, la máquina planificará dinámicamente la ruta de limpieza basándose en el mapa escaneado. En el área de limpieza seleccionada, la máquina comenzará a lo largo de las paredes y luego limpiará en zigzag, de forma organizada y eficiente.




Cuando lo use por primera vez o cambie las escenas de limpieza, el robot primero realizará una función de mapeo rápido para garantizar que pueda comprender el entorno de limpieza más rápidamente. Este proceso dura unos 10 minutos, y luego comenzará la tarea de limpieza.

Dormir / despertar

- La máquina entrará automáticamente en el estado de hibernación después de más de diez minutos en el estado de espera. En el estado de hibernación, la luz indicadora de alimentación está apagada, a continuación, pulse cualquier tecla para despertar la máquina.

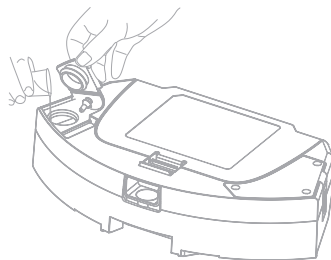
Recargar

- En modo de pausa y espera, presione el botón  para devolver la máquina a la Colector de polvo para cargarla.
- Si la batería está baja durante el funcionamiento, la máquina volverá a cargarse y continuará su tarea una vez completada la carga.

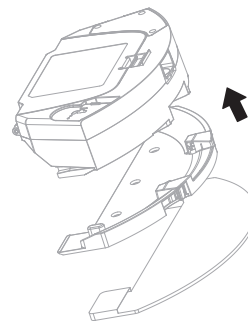
OPERACIÓN DEL PRODUCTO

Sistema de trapeado

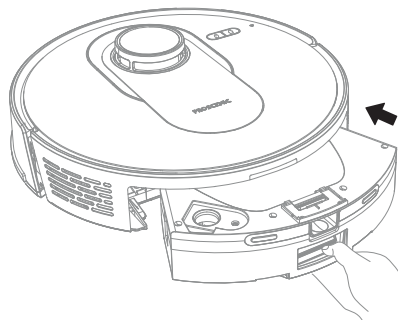
1. Agregar agua.



2. Instale el soporte de la fregona y la fregona.



3. Vuelva a colocar la caja de polvo y el tanque de agua en la unidad principal.

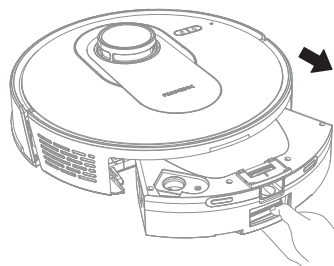


- Asegúrese de que el suelo no tiene moqueta cuando utilice la función de fregado. Puede establecer la parte alfombrada del suelo como zona de exclusión tras el primer barrido en la aplicación para poder utilizar la función de mopa con normalidad sin tener que apartar la alfombra.
- Después de trapear el piso, limpie el tanque de agua, la tabla del trapeador y el trapeador de limpieza a tiempo para asegurarse de que no haya olores.

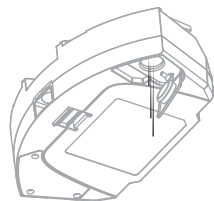
MANTENIMIENTO RUTINARIO

Limpiar la caja de polvo y el tanque de agua

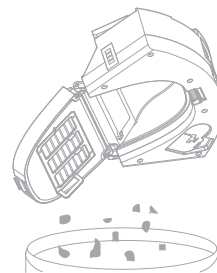
1. Presione el botón para quitar la caja de polvo y el tanque de agua.



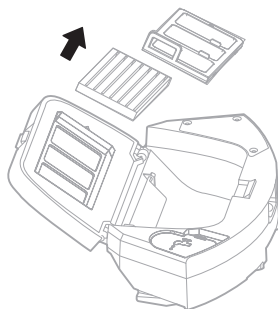
2. Vaciar el agua en el tanque de agua.



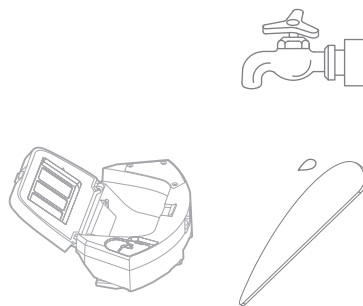
3. Abre el contenedor de basura y tira la basura.



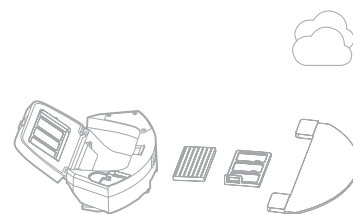
4. Saque el HEPA y el filtro primario y limpie el polvo del filtro.



5. Limpiar la caja de polvo y el filtro primario.



6. Seco

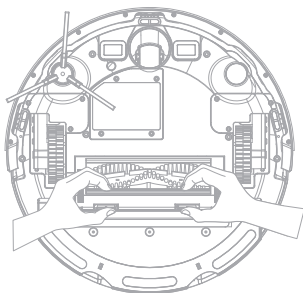


! Al instalar el filtro primario y HEPA, asegúrese de que todas las piezas estén completamente secas.

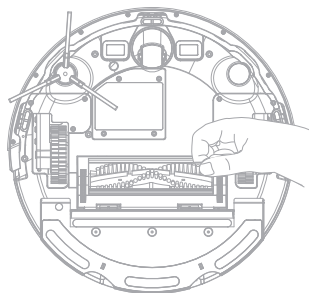
MANTENIMIENTO RUTINARIO

Limpiar el cepillo giratorio

1. Abra la cubierta del cepillo giratorio.



2. Retire el cepillo giratorio

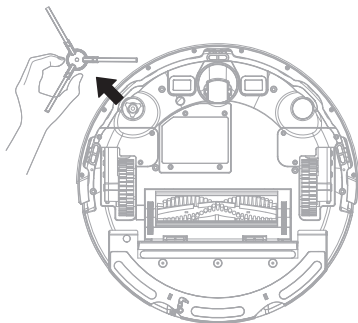


3. Limpiar el cepillo giratorio con un cepillo de limpieza.

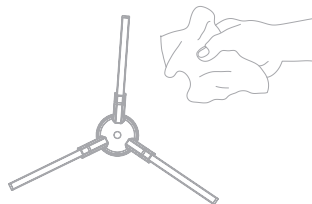


Limpiar el cepillo lateral

1. Retire el cepillo lateral

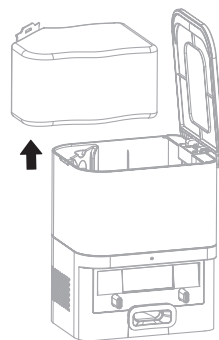


2. Limpiar el cepillo lateral



Mantenimiento del colector de polvo

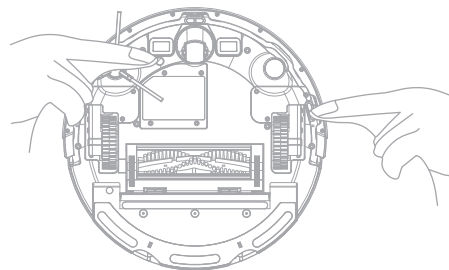
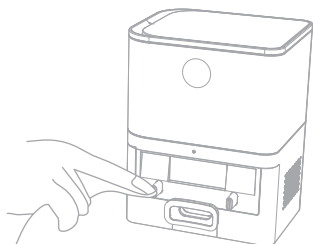
Retire la bolsa de polvo verticalmente y sustituya por una nueva.



MANTENIMIENTO RUTINARIO

Limpiar el sensor

- ! Limpiar las placas de carga.



Frecuencia de limpieza

Para mantener su robot funcionando con un rendimiento óptimo, realice tareas de mantenimiento y reemplace piezas con la siguiente frecuencia:

parte	Frecuencia de mantenimiento
Colector de polvo	una vez por semana
Sensores	Una vez al mes

INDICATORE LUMINOSO DELL'HOST / INDICADOR WI-FI

Indicatore luminoso dell'host

stato della macchina	Stato della luce del pulsante di pulizia	Stato della luce del pulsante di ricarica
Estado de arranque	Respiración con luz azul	/
Actualización del firmware	Respiración con luz azul	/
Recarga	Respiración con luz azul	/
Estado de reposo	Luz azul siempre encendida	/
Funcionando	Luz azul siempre encendida	/
Carga completa	Luz azul siempre encendida	/
Conexión de red correcta	Luz azul siempre encendida	/
Conectado a la red	Luz azul intermitente	/
Error	Luz roja intermitente	/
Batería baja/recargando	/	Luz naranja siempre encendida

Indicador Wi-Fi

Estado	visualización de luz
Esperando conexión	Flash lento
conectando	Flash rápido
Wi-Fi conectado	Siempre encendido
Wi-Fi desconectado	Apagado

Indicador Colector de polvo

Estado	visualización de luz
Estado de arranque	Luz azul encendida
Conectando	Luz azul intermitente
Recarga	La luz azul parpadea
Error	Luz roja intermitente

RESOLUCIÓN DE PROBLEMAS

pregunta	Posibles causas y soluciones
Incapaz de comenzar	Si la batería está baja, por favor coloque el robot en un colector de polvo para cargarlo completamente antes de usarlo. Si la temperatura de la batería es demasiado baja o demasiado alta, utilícela entre 0 y 40°C.
Imposible cargar	"Si la base no está encendida, compruebe que la luz indicadora está encendida; si no lo está, compruebe que ambos extremos del cable de alimentación se han insertado correctamente. Si el contacto es deficiente, limpie las placas de carga de la Colector de polvo y del robot."
Carga lenta	"En un entorno de temperatura alta o baja, el robot reduce automáticamente la velocidad de carga para prolongar la vida útil de la batería. La zona de contacto de carga puede estar sucia, limpie la zona con un paño seco."
No se puede recargar	"Hay demasiados obstáculos cerca de la estación base. Coloque la estación base en un espacio abierto; El robot está demasiado lejos de la Estación Base, por favor coloque el robot cerca de la Estación Base e inténtelo de nuevo."
Comportamiento anormal	Por favor, confirme si el sensor del robot es anómalo. Si no hay ninguna anomalía, apague y vuelva a encender el robot.
Ruido anormal durante la limpieza	El cepillo del rodillo, el cepillo lateral o la rueda principal pueden enredarse en obstáculos, por favor deténgase y límpielos. La rueda universal puede estar enrollada, recomendamos desmontarla para limpiarla.
Capacidad de limpieza reducida o caída de cenizas	"El depósito de polvo está lleno o el filtro está obstruido. Limpie el depósito de polvo y el filtro. El cepillo del rodillo está rodeado de obstáculos, límpielo."
No se puede conectar a WiFi	"Si la función Wi-Fi no está activada, reinicie la Wi-Fi y vuelva a intentarlo; La señal Wi-Fi no es buena, por favor asegúrese de que el robot se encuentra en una zona con buena cobertura de señal Wi-Fi; Si la conexión Wi-Fi es anormal, reinicie el Wi-Fi y descargue la última versión del teléfono móvil. Intente conectarse de nuevo; El Wi-Fi ha perdido repentinamente la conexión, sospecha de un mal funcionamiento del router doméstico, puede ponerse en contacto con el servicio de atención al cliente para obtener ayuda ; el robot no soporta la red 5G. Por favor, cambie a Wi-Fi 2.4G."
Robot atascado en el trabajo	"El robot puede enredarse o quedar atrapado por los cables dispersos y las cortinas que caen al suelo. Se recomienda ordenar la habitación antes de limpiarla; El robot puede quedar atrapado por muebles de altura similar, puede aumentar la altura de los muebles añadiendo un cojín o bloquear la zona de los muebles para limpiar."

PARÁMETRO

Aspiradora robot

Célula de batería	Batería de iones de litio de 14,4 V/3200 mAh
Potencia de entrada	19V/0,6A
Tiempo de carga	Aprox. 4-5H
Banda de frecuencia	2412MHz-2472MHz
Potencia máxima de radiofrecuencia	18,5dBm

Colector de polvo

Potencia de entrada	100V-130V ~ Or 220-240V~
Potencia de salida	19V/0,7A

Bluetooth

Estándar	BLE 5.0 a 1Mbps
Banda de frecuencia	de 2400 MHz a 2483,5 MHz

BEZPIECZEŃSTWO

WAŻNE INSTRUKCJE BEZPIECZEŃSTWA DO UŻYTKU DOMOWEGO

Podczas korzystania z jakiegokolwiek urządzenia elektrycznego zawsze należy przestrzegać podstawowych środków ostrożności, w tym następujących:

OSTRZEŻENIE: PRZECZYTAJ WSZYSTKIE INSTRUKCJE BEZPIECZEŃSTWA ORAZ CAŁĄ INSTRUKCJĘ OBSŁUGI.

Nieprzestrzeganie ostrzeżeń i instrukcji może skutkować porażeniem prądem, pożarem lub poważnymi obrażeniami. Przeczytaj wszystkie instrukcje przed użyciem tego robota.

Uwaga:

- Ten robot jest przeznaczony dla dzieci w wieku powyżej 8 lat. Osoby z ograniczoną sprawnością fizyczną, sensoryczną lub intelektualną, lub ci, którzy nie posiadają doświadczenia i wiedzy, powinny być nadzorowane lub poinstruowane w bezpiecznym korzystaniu z robota; muszą również być świadome możliwych zagrożeń. Dzieci nie powinny bawić się tym robotem. Czyszczenie i konserwacja użytkownika nie powinny być wykonywane przez dzieci bez nadzoru.
- Robot musi być używany zgodnie z instrukcjami zawartymi w tej instrukcji obsługi. Firma nie ponosi odpowiedzialności za jakiegokolwiek uszkodzenia lub obrażenia spowodowane niewłaściwym użyciem.

Aby zmniejszyć ryzyko obrażeń lub uszkodzeń, należy przestrzegać następujących środków ostrożności podczas instalowania, użytkowania i konserwacji robota:

- Przed użyciem robota przeczytaj wszystkie instrukcje dotyczące bezpieczeństwa i obsługi.
- Zachowaj instrukcję bezpieczeństwa i obsługi na przyszłość. Jeśli przypadkowo zgubisz instrukcję, możesz odwiedzić oficjalną stronę internetową, aby pobrać wersję elektroniczną. (<https://www.proscenic.com>).
- Przestrzegaj wszystkich ostrzeżeń na robocie, baterii, stacji ładowania i w instrukcji obsługi.



Przestrzegaj wszystkich instrukcji dotyczących obsługi i użytkowania. Etykiety lub opakowania produktu wskazują, że: Nie wyrzucaj urządzeń elektrycznych jako niesegregowanych odpadów ani nie używaj oddzielnego zbieracza odpadów. Skontaktuj się z lokalnym organem władzy w celu uzyskania informacji na temat odpowiedniej metody utylizacji. Jeśli urządzenia elektryczne są wyrzucane na wysypiska śmieci, substancje niebezpieczne mogą przedostać się do wód gruntowych, wejść w łańcuch pokarmowy i zaszkodzić zdrowiu ludzi. Skontaktuj się z lokalnym lub regionalnym organem zarządzania odpadami w celu uzyskania więcej informacji na temat ich programów recyklingu i ponownego użytkowania.

OSTRZEŻENIA

- Ten robot jest przeznaczony wyłącznie do użytku wewnątrz pomieszczeń. Nie używaj go na zewnątrz ani w środowiskach komercyjnych i przemysłowych.
- Przed użyciem robota usuń łatliwe przedmioty takie jak odzież, luźne kartki papieru, liny lub zasłony oraz przewody zasilające z podłogi. Robot może zahaczyć się o przedmiot, stół lub półkę, jeśli zatrzyma się na kablu.
- Ten robot nie jest zabawką. Nie siadaj ani nie stój na tym robocie. Dzieci i zwierzęta domowe powinny być nadzorowane podczas pracy robota.
- Przechowuj i obsługuj robota w temperaturze pokojowej.
- Nie używaj tego robota do czyszczenia czegokolwiek, co płonie lub dymi.
- Nie używaj robota do czyszczenia wybielacza, farby ani innych chemikaliów, ani też czegokolwiek mokrego.
- Jeśli obszar do czyszczenia obejmuje balkon, należy ustawić fizyczną barierę, aby zapobiec dostępowi robota do balkonu i zapewnić jego bezpieczne działanie.
- Osoby (w tym dzieci) z ograniczoną sprawnością fizyczną, sensoryczną lub intelektualną, lub te, które nie posiadają doświadczenia i wiedzy,

powinny być nadzorowane lub poinstruowane w bezpiecznym korzystaniu z robota.

- Dzieci powinny być nadzorowane, aby zapewnić, że nie bawią się robotem.
- Nie umieszczaj niczego na robocie.
- Proszę zauważyć, że robot będzie poruszał się samodzielnie. Staraj się być ostrożny podczas chodzenia w obszarze roboczym, aby uniknąć nadeptnięcia na niego.
- Nie używaj robota w obszarze, gdzie gniazdko zasilające jest odslonięte.

BATERIA I ŁADOWANIE

- Używaj tylko akumulatorów odtwarzalnych o specyfikacjach zatwierdzonych przez naszą firmę.
- Do ładowania używaj standardowej, darmowej stacji ładowania. Ten produkt nie może być używany z żadnym rodzajem zasilacza; użycie innego zasilacza natychmiast unieważni gwarancję.
- Nie używaj stacji ładowania z uszkodzonym kablem zasilającym ani wtyczką. Jeśli kabel zasilający lub wtyczka jest uszkodzony, należy go naprawić przez producenta lub podobnie wykwalifikowaną osobę.
- Upewnij się, że przed długotrwałym przechowywaniem lub transportem naładowane są i usunięte baterie z robota i akcesoriów.
- Typem baterii do pilota zdalnego sterowania jest bateria alkaliczna AAA. (Niektóre modele nie zawierają pilota)
- Aby wymienić baterie w pilocie zdalnego sterowania, przesunąć pokrywę baterii na tylnej części pilota zdalnego sterowania, usunąć pokrywę baterii i wymienić baterie.
- Nie obsługuj stacji ładowania mokrymi rękami.
- Przed czyszczeniem lub konserwacją robota wtyczka musi być wyjęta z gniazdka.

- Upewnij się, że napięcie znamionowe zamkniętej stacji ładowania odpowiada napięciu standardowego gniazdka.
- Użyte akumulatory należy umieścić w szczelnie zamkniętym worku foliowym i bezpiecznie utylizować zgodnie z lokalnymi przepisami dotyczącymi ochrony środowiska.
- Przed każdym użyciem sprawdź akumulator pod kątem oznak uszkodzeń lub wycieku. Nie ładuj uszkodzonych ani wyciekających akumulatorów.
- Jeśli akumulator wycieka, skontaktuj się z obsługą klienta.
- Akumulator musi być usunięty z robota przed jego użyciem.
- Nie rozdrabniaj ani nie rozmontowuj akumulatora. Nie stosuj ciepła do akumulatora ani nie umieszczaj go w pobliżu żadnego źródła ciepła.
- Nie spalaj akumulatora. Nie zwieraj zwarcia na akumulatorze.
- Nie zanurzaj akumulatora w żadnym płynie.
- Nie rozdrabniaj ani nie rozmontowuj robota.

UWAGA

- Czujnik laserowy w tym produkcie spełnia normę IEC 60825-1:2014 dotyczącą produktów laserowych klasy 1. Prosimy unikać bezpośredniego kontaktu wzroku podczas użytkowania.
- Urządzenie obsługuje funkcję Bluetooth, która pomaga w łączeniu się z Wi-Fi.



Do użytku domowego



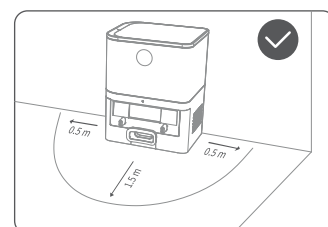
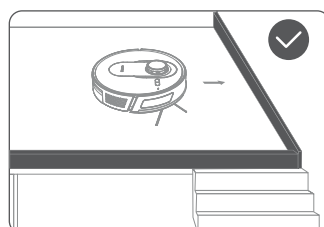
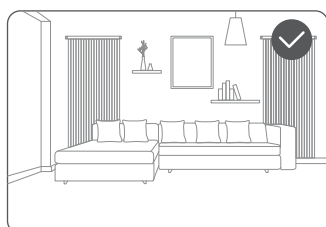
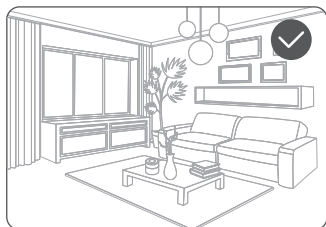
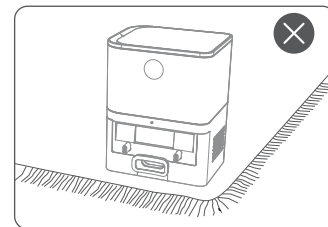
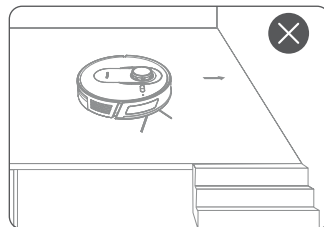
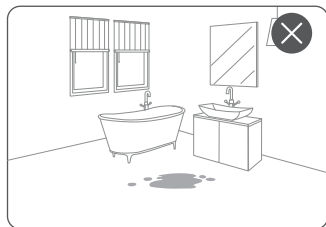
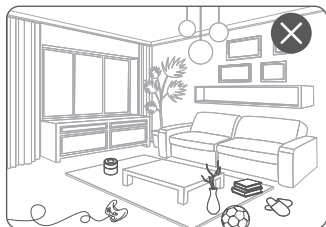
Przed ładowaniem przeczytaj instrukcję

BEZPIECZEŃSTWO



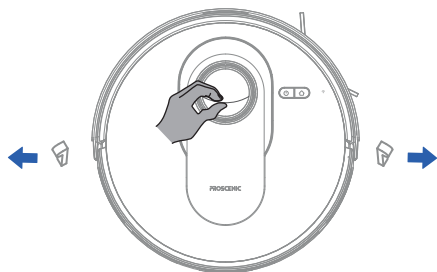
UWAGA:

1. Proszę posprzątać rozrzucone kable i śmieci z podłogi przed rozpoczęciem pracy, oraz usunąć łatwo przewracające się, łatliwe, wartościowe i niebezpieczne przedmioty, aby uniknąć zahaczenia, zacięcia, ciągnięcia lub przewrócenia, co może prowadzić do osobistych obrażeń lub uszkodzenia mienia spowodowanego przez odkurzacz automatyczny.
2. Proszę unikać używania tego produktu w obszarze zalania, w przeciwnym razie uszkodzi to wentylator i wpłynie na wydajność urządzenia.
3. Surowo zabrania się używania tego produktu na wysokich miejscach bez poręczy.
4. Stacja ładowania nie powinna być umieszczana na dywanie; stacja ładowania musi być umieszczona na podłodze lub kafelkach z przestrzenią wokół niej.

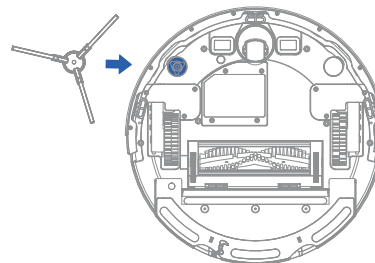


PIERWSZE UŻYCIE

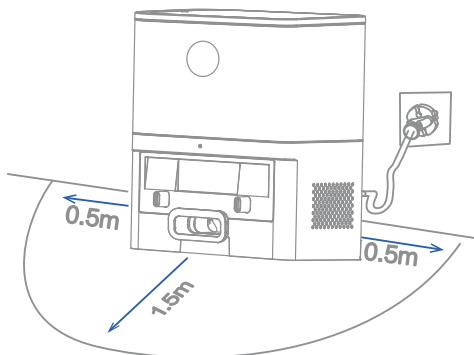
1. Usuń taśmę oraz folię ochronną.



2. Zamontuj szczotkę boczną.



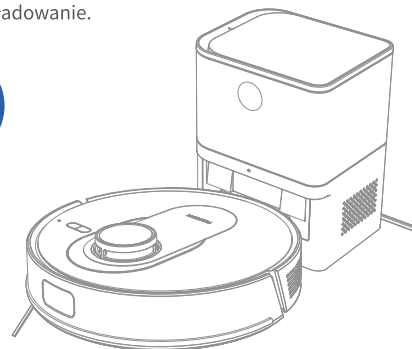
3. Usytuowanie Stacji Ładowania.

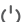


* Stacja ładowania powinna być ustawiona przy ścianie, zapewniając odstęp 0,5 metra z obu stron oraz 1,5 metra z przodu.

4. Pierwsze ładowanie.

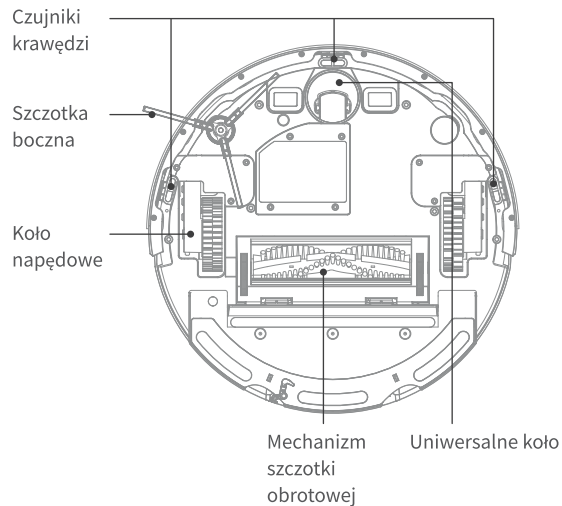
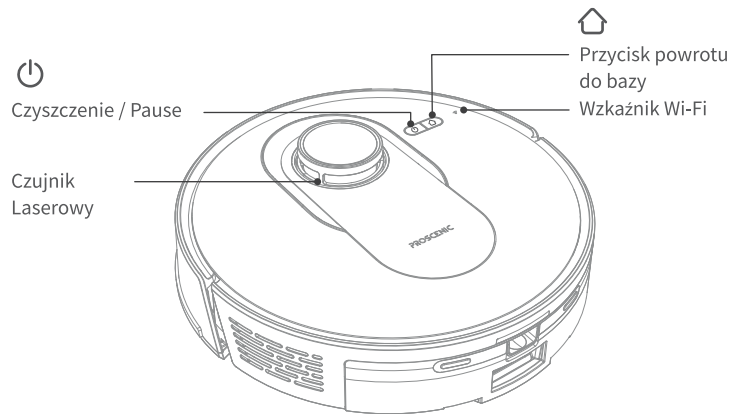
Ładuj przez 4
godziny przed
pierwszym
użyciem.



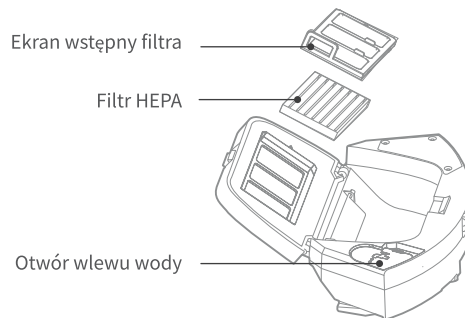
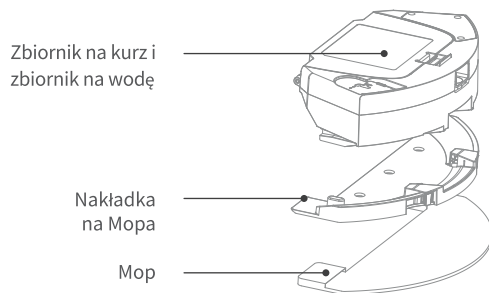
* Przytrzymaj  przycisk włączający, umieść robota na zbiorniku na kurz, aby rozpocząć ładowanie.

PREZENTACJA PRODUKTU

ROBOT



ZBIORNIK NA KURZ I ZBIORNIK NA WODĘ



ŁĄCZENIE Z APLIKACJĄ

Aby korzystać ze wszystkich dostępnych funkcji, zalecamy korzystanie z aplikacji do sterowania swoim robotem.

Pobieranie aplikacji i instalacja



1. Pobierz aplikację ze sklepu App Store (na iOS) lub Google Play (dla Androida).
2. Otwórz aplikację i utwórz konto.
3. Naciśnij ikonę "+" aby dodać "Q8max" do swojego konta.
4. Postępuj zgodnie z instrukcjami w aplikacji, aby skonfigurować połączenie Wi-Fi.

Przed rozpoczęciem upewnij się że:


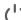
1. Twój telefon jest połączony z siecią Wi-Fi.
2. Sygnał bezprzewodowy w paśmie 2,4GHz jest włączony na twoim routerze.
3. Możesz pobrać aplikację Proscenic ze sklepu Google Play lub Apple App Store.

Łączenie ręczne


1. Naciśnij i przetrzymaj "⏻" oraz "🏠" w tym samym czasie i przez około 5 sekund.
2. Wybierz router Wi-Fi, do którego jest podłączony twój telefon, i wprowadź hasło.
3. Przejdź do ustawień i listy WLAN, aby połączyć się z hotspot "Proscenic-Q8max-XXXX".
4. Wróć do aplikacji Proscenic i zakończ połączenie Wi-Fi.

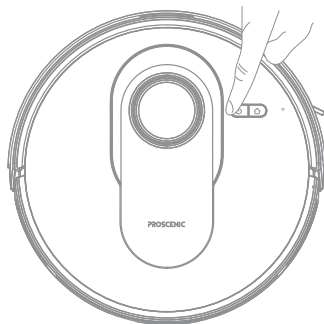
PIERWSZE KROKI

Włącznik/Wyłącznik

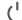
- Przytrzymaj  klawisz, aby rozpocząć włączanie, wskaźnik zasilania jest włączony, robot przechodzi w stan gotowości.
- Przetrzyмай  klawisz, aby wyłączyć, wszystkie wskaźniki zgasną, wyłączenie się powiodło.
- * **Robota nie można wyłączyć podczas ładowania.**

Rozpoczęcie sprzątnia

- Krótco naciśnij  na robocie, aby rozpocząć czyszczenie. Po rozpoczęciu czyszczenia, maszyna dynamicznie zaplanuje trasę sprzątnia zgodnie z zeskanowaną mapą. W wybranym obszarze czyszczenia maszyna rozpocznie od ściany, a następnie będzie czyścić w sposób zygzakowaty, zapewniając uporządkowane i efektywne pokrycie.




Stop / Kontynuuj

- Gdy maszyna jest w trakcie pracy, naciśnij dowolny przycisk, aby wstrzymać. Naciśnij przycisk  aby kontynuować czyszczenie.

Tryb uśpienia

- Po więcej niż 10 minutach bez działania, robot automatycznie przejdzie w stan uśpienia. W stanie uśpienia, wskaźnik zasilania jest wyłączony, naciśnij dowolny przycisk, aby obudzić robota.

Ładowanie

- Po zakończeniu czyszczenia, maszyna automatycznie wróci do zbiornika na kurz, aby się naładować.
- W trybie gotowości / pauzy, naciśnij przycisk  aby rozpocząć ładowanie.

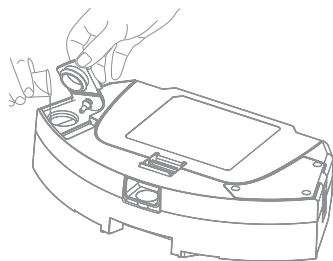
! Uwaga:

- Jeśli poziom naładowania jest zbyt niski, czyszczenie nie rozpocznie się. Proszę naładować przed rozpoczęciem czyszczenia.
- Proszę uporządkować wszelkiego rodzaju przewody na podłodze przed rozpoczęciem czyszczenia, aby uniknąć awarii zasilania elektrycznego lub uszkodzenia przewodów spowodowanych przez maszynę podczas czyszczenia.

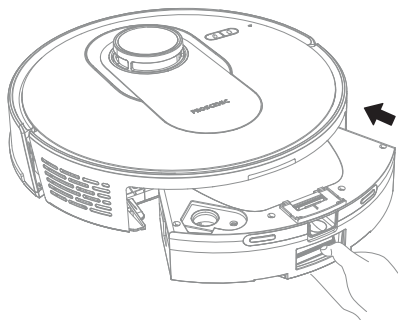
PIERWSZE KROKI

System Mopowania

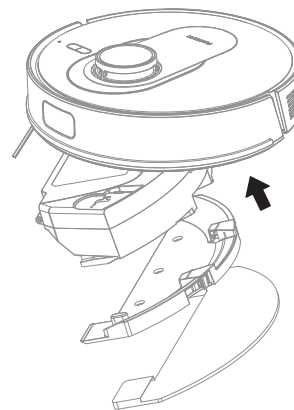
1. Dodaj



3. Zainstaluj pojemnik na kurz i zbiornik na wodę z powrotem na urządzeniu



2. Zamontuj nakładkę i mopa

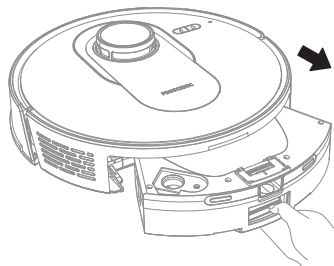


- Upewnij się, że podłoga jest wolna od dywanów podczas korzystania z funkcji mopowania. Możesz ustawić obszar pokryty dywanem jako strefę wykluczenia po pierwszym przesunięciu w aplikacji, aby móc normalnie korzystać z funkcji mopowania bez konieczności usuwania dywanu.
- Po zakończeniu mopowania, proszę w odpowiednim czasie wyczyścić zbiornik na wodę, deskę mopującą i umyć mop, aby zapewnić brak nieprzyjemnych zapachów.

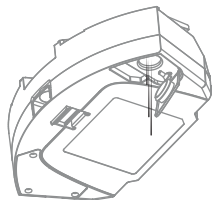
KONSERWACJA

Czyszczenie zbiornika 2w1 na kurz i wodę

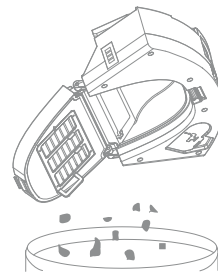
1. Naciśnij przycisk zbiornika na kurz, aby go usunąć



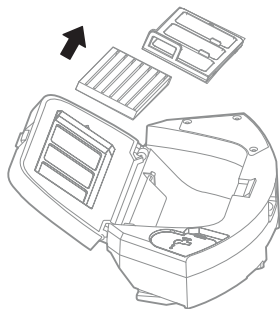
2. Opróżnij zbiornik na wodę



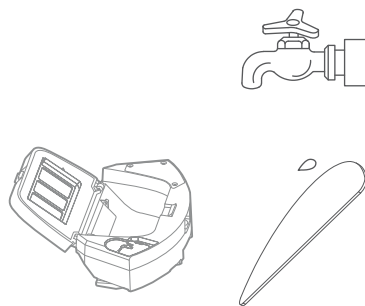
3. Otwórz pojemnik na kurz, aby wyrzucić śmieci



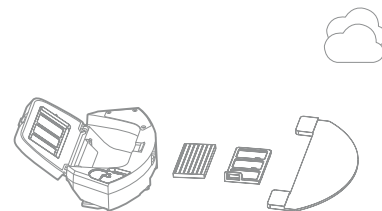
4. Wyjmij wysokowydajny filtr HEPA i filtr podstawowy, stuknij delikatnie w wysokowydajny filtr HEPA, aby usunąć kurz



5. Umieść pojemnik na kurz, filtr podstawowy i gąbkowy pod bieżącą wodą



6. Wysusz umyte elementy

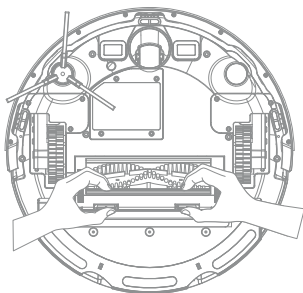


! Przed instalacją filtrów upewnij się, że wysokowydajny filtr HEPA i filtr podstawowy są suche.

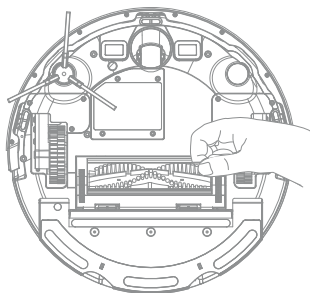
KONSERWACJA

Czyszczenie szczotki wałkowej

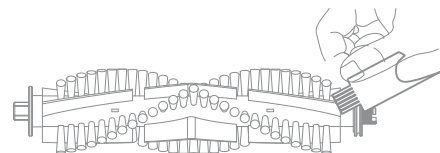
1. Otwórz pokrywę szczotki wałkowej



2. Wyjmij szczotkę wałkową

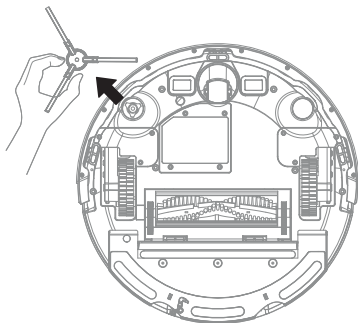


3. Wyczyść szczotkę wałkową czyszczykiem

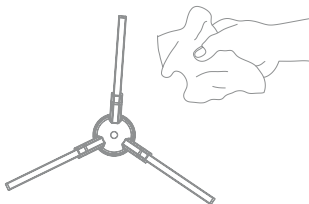


Czyszczenie szczotki bocznej

1. Wyjmij szczotkę boczną

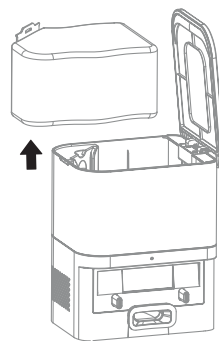


2. Wyczyść szczotkę boczną



Konserwacja Zbiornika na kurz

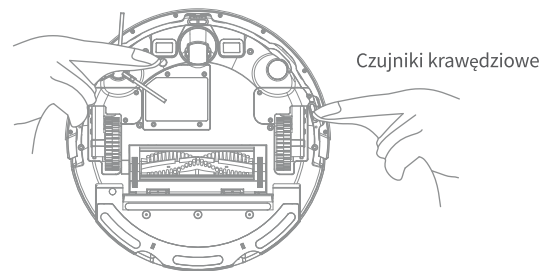
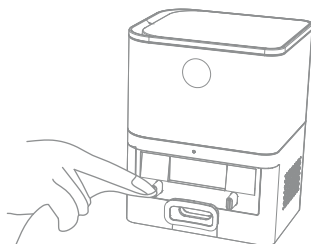
Wyjąć worek na kurz pionowo i wymienić go na nowy.



KONSERWACJA

Czyszczenie czujników

! Użyj miękkiej suchej szmatki do wytarcia różnych czujników w urządzeniu



Częstotliwość konserwacji

Aby osiągnąć najlepszy efekt czyszczenia, regularnie czyść i konserwuj urządzenie zgodnie z poniższą tabelą. Proszę zdecydować o częstotliwości czyszczenia i konserwacji zgodnie z rzeczywistymi nawykami użytkownika.

Element	Częstotliwość
Stacja ładowania	Raz na tydzień
Czujniki	Raz na miesiąc

WZKAŹNIKI NA ROBOCIE

Wzkaźniki na Robocie

Status	Wzkaźniki czyszczenia	Wzkaźnik przycisku ładowania
Power On	Niebieskie Pulsujące światło	/
Aktualizacja oprogramowania	Niebieskie Pulsujące światło	/
Ładowanie	Niebieskie Pulsujące światło	/
Tryb Oczekiwania	Stałe niebieskie światło	/
Tryb Pracy	Stałe niebieskie światło	/
Zakończone ładowanie	Stałe niebieskie światło	/
Połączenie sieciowe poprawne	Stałe niebieskie światło	/
Połączenie sieciowe	Stałe niebieskie światło	/
Błąd	Miga na czerwono	/
Niski poziom baterii	/	Miga na pomarańczowo

Wzkaźniki Wi-Fi

Status	Wzkaźnik
Czekam na połączenie	Wolne miganie
Łączy	Szybkie miganie
Połączono z Wi-Fi	Dioda włączona
Odłączono od Wi-Fi	Dioda Wyłączona

Wskaźnik stacji ładowania

Status	Wzkaźnik
Power On	Stałe niebieskie światło
Łączy	Niebieskie światło miga
Ładowanie	Niebieskie światło oddycha
Błąd	Miga na czerwono

ROZWIĄZYWANIE PROBLEMÓW

Pytanie	Możliwe przyczyny i rozwiązania
Nie można uruchomić	Jeśli bateria jest nisko naładowana, proszę umieścić urządzenie na stacji ładowania, aby w pełni naładować przed użyciem. Jeśli temperatura baterii jest zbyt niska lub zbyt wysoka, proszę używać jej w temperaturze 0-40°C.
Nie można naładować	Jeśli stacja bazowa nie jest włączona, proszę sprawdzić, czy dioda sygnalizacyjna jest włączona; jeśli nie, proszę sprawdzić, czy oba końce przewodu zasilającego zostały prawidłowo włożone; W przypadku złego kontaktu, proszę wyczyścić płytki ładowania na stacji ładowania i na urządzeniu.
Wolne ładowanie	W wysokiej lub niskiej temperaturze otoczenia, maszyna automatycznie zmniejsza prędkość ładowania w celu przedłużenia żywotności baterii. Obszar kontaktu ładowania może być brudny, proszę wyczyścić go suchą szmatką.
Robot nie może trafić do bazy	Jest zbyt wiele przeszkód w pobliżu stacji ładowania, proszę umieścić stację ładowania na otwartej przestrzeni; Urządzenie jest zbyt daleko od stacji ładowania, proszę umieścić je w pobliżu stacji ładowania i spróbować ponownie.
Nietypowe zachowanie	Proszę potwierdzić, czy czujnik urządzenia jest wadliwy. Jeśli nie ma żadnych nieprawidłowości, proszę wyłączyć urządzenie i ponownie je włączyć.
Dziwne dźwięki podczas pracy	Szczotka walcowa, boczna szczotka lub główny koło mogą być zablokowane przez przeszkody, proszę zatrzymać i oczyścić. Koło uniwersalne może być nawinięte, zaleca się wyjęcie koła uniwersalnego i oczyszczenie.
Spadek zdolności czyszczenia	Pojemnik na kurz jest pełna lub filtr został zablokowany, proszę wyczyścić skrzynkę na kurz i filtr; Szczotka walcowa jest owinięta przez przeszkody, proszę oczyścić szczotkę walcową.
Nie da się połączyć z Wi-Fi	Jeśli funkcja Wi-Fi nie jest aktywowana, proszę zresetować Wi-Fi i spróbować ponownie; Sygnał Wi-Fi nie jest dobry, proszę upewnić się, że urządzenie znajduje się w obszarze dobrego zasięgu sygnału Wi-Fi; Jeśli połączenie Wi-Fi jest niestabilne, zresetuj Wi-Fi i pobierz najnowszą wersję aplikacji mobilnej. Spróbuj połączyć się ponownie; Wi-Fi nagle straciło połączenie, podejrzewa się, że router w domu jest uszkodzony, można skontaktować się z obsługą klienta o pomoc; Urządzenie nie obsługuje sieci 5G. Proszę przelaczyć je na sieć Wi-Fi 2,4 GHz.
Robot utknął podczas pracy	Maszyna może być zaplątana lub zablokowana przez rozrzucone kable i zwisające zasłony na podłodze. Zaleca się uporządkowanie pomieszczenia przed sprzątaniami; Maszyna może być uwięziona przez meble o podobnej wysokości. Można podnieść wysokość mebli dodając podkładkę lub zablokować obszar mebli przed sprzątaniami.

PARAMETRY

ROBOT Q8 Max

Bateria	14,4V/3200 mAh Litowo Jonowa
Moc Wejściowa	19V/0,6A
Czas ładowania	Około 4-5 godzin
Pasma częstotliwości	2412MHz-2472MHz
Moc częstotliwości	18,5 dBm

Stacja ładowania

Moc Wejściowa	100V-130V ~ Or 220-240V~
Moc Wyjściowa	19V/0,7A

Bluetooth

Standard	BLE 5.0 przy 1 Mbps
Pasma częstotliwości	2400 MHz do 2483,5 MHz

Customer Service

Email: support@proscenic.com

Manufacturer: Shenzhen Proscenic Technology Co., Ltd.

Huizhou Free Dynamics Intelligent Technology Co., Ltd. (Authorized)
No. 86 Hechang 7th West Road, Zhongkai High-tech Zone, Huizhou City,
Guangdong Province, China

UK **REP**

Goal Reach Consulting Ltd.

Office 1029, 3 Hardman Street, 10th Floor, Spinningfields,
Manchester M3 3HF, UK
E-mail: goalservice@hotmail.com

EC **REP**

ULT Europe GmbH

Kreuzstraße 60, Düsseldorf, North Rhine-Westphalia, 40210,
Germany
E-mail: support@proscenic.com